



PROJECT TITLE:
ECSO GbmH
Kanzler

DRAWING TITLE:
AIR COOLED
CONDENSER
ERCT-030

SCALE: S / N

DATE:
2009.01.01

FILE NAME:

ERCT-030

DWG NO:

DRAWING GRADE :

REQUEST NO :

00-000

LEGEND:

APPROVED

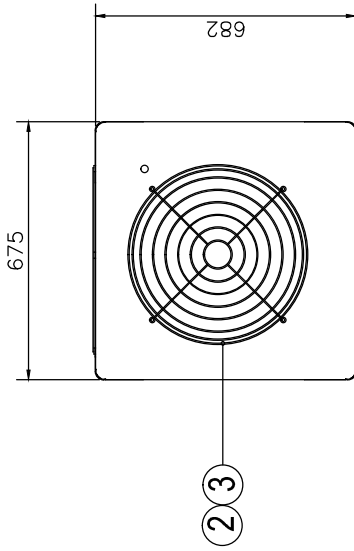
CHECKED

DESIGNED

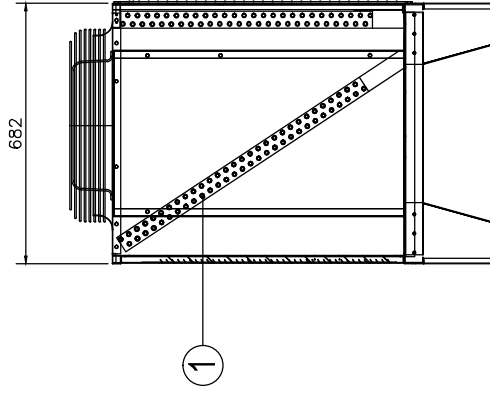
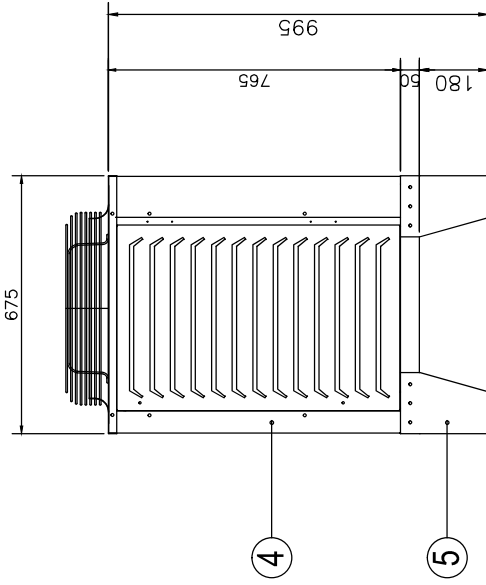
DRAWING

SPECIFICATION

CONDENSER COIL	TYPE	MULT-PASS CROSS FIN TUBE	
	SPEC	-	
CONDENSER FAN	TYPE	PROPELLER FAN $\phi 450$	
PIPE CONNECTION	MOTOR	3PH/380V/60Hz x 6P x 0.16kW	
	IN/OUT LET	5/8"($\phi 15.88$) / 1/2"($\phi 12.7$)	
NO	PARTS NAME	DESCRIPTION	Q'TY
1	COND/COIL	"CU TUBE" , "AL" FIN	2
2	FAN&MOTOR	-	1
3	FAN COVER	-	1
4	CASING	Egi 1.2t	
5	BASE FRAME	GI 2.0t	



↑
Maintenance



△	REV	DATE	DESCRIPTION	REVIEWED	CHECKED
△					