



PROJECT TITLE:
ECSO GmbH
Konziler

DRAWING TITLE:
AIR COOLED
CONDENSER
ERCT-050

SCALE: $\frac{S}{N}$

DATE:
2009.01.01

FILE NAME
ERCT-050

DWG NO:

DRAWING GRADE :

REQUEST NO :
00-000

LEGEND:

APPROVED

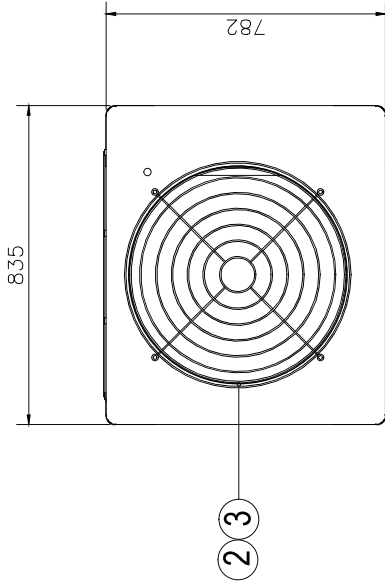
CHECKED

DESIGNED

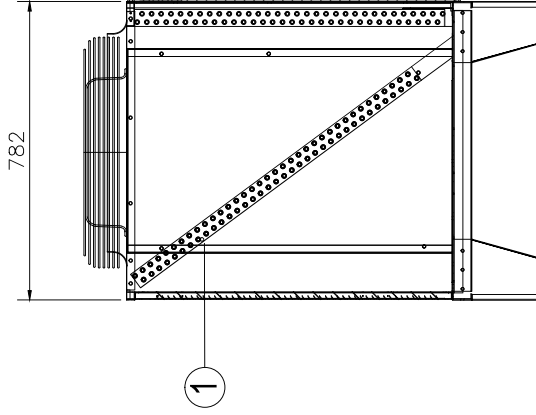
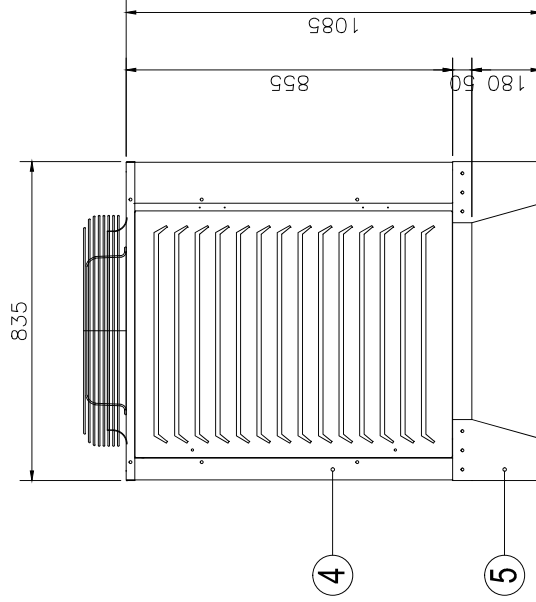
DRAWING OH. D. H

SPECIFICATION

CONDENSER COIL	TYPE	MULT-PASS CROSS FIN TUBE	
	SPEC'	-	
CONDENSER FAN	TYPE	PROPELLER FAN $\phi 550$	
PIPE CONNECTION IN/OUT LET	MOTOR	3PH/380V/60Hz x 6P x 0.4kW	
		3/4"($\phi 19.05$) / 5/8"($\phi 15.88$)	
NO	PARTS NAME	DESCRIPTION	Q.TY
1	COND'COIL	"CU TUBE" , "AL" FIN	2
2	FAN&MOTOR	-	1
3	FAN COVER	-	1
4	CASING	Egi 1.2t	
5	BASE FRAME	GI 2.0t	



Maintenance



REV	DATE	DESCRIPTION	REVIEWED	CHECKED
△				
△				