



PROJECT TITLE:
ECSO GmbH
Kanzler

DRAWING TITLE:
AIR COOLED
CONDENSER
ERCT-075

SCALE: S / N

DATE: 2009.01.01

FILE NAME
ERCT-075

DWG NO:

DRAWING GRADE :

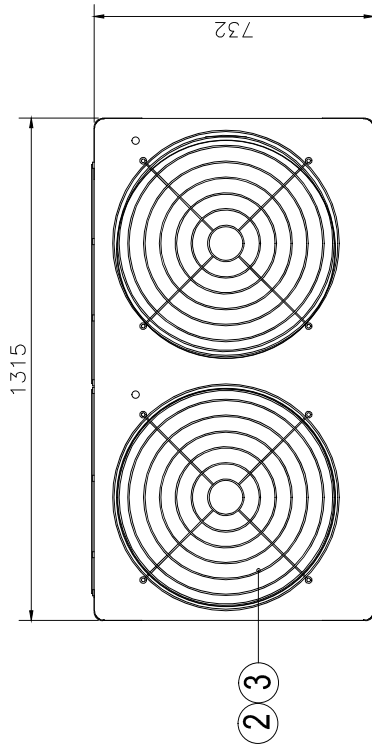
REQUEST NO :
00-000

LEGEND:

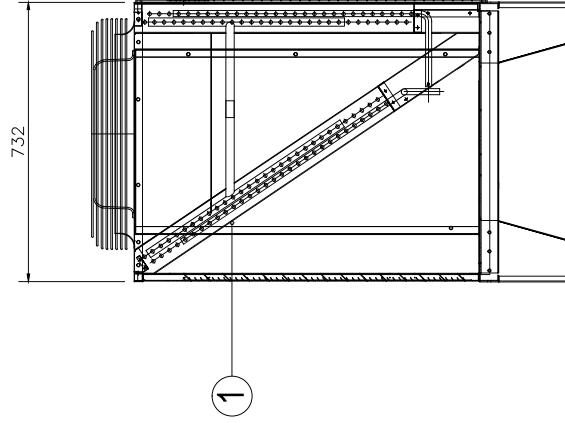
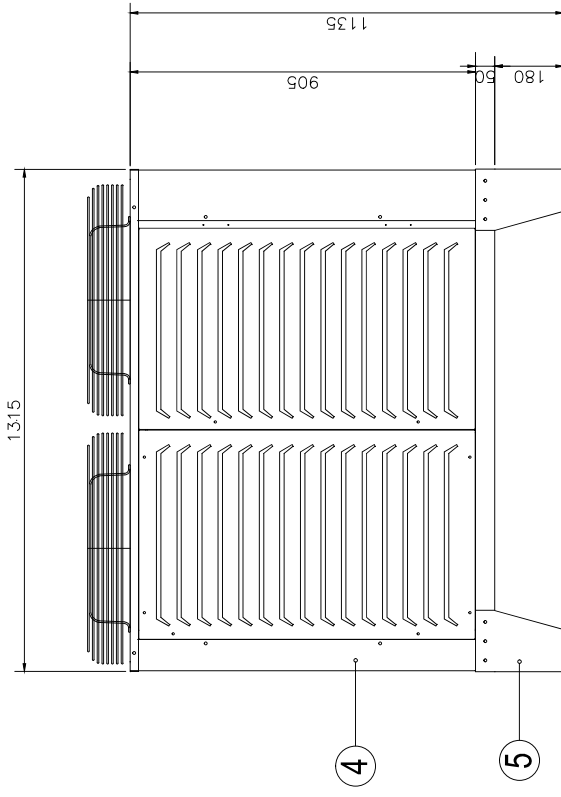
APPROVED
CHECKED
DESIGNED

DRAWING OH. D. H

SPECIFICATION			
CONDENSER COIL	MULT-PASS CROSS FIN TUBE		
CONDENSER FAN	PROPELLER FAN ϕ 500		
PIPE CONNECTION IN/OUT LET	3PH/380V/50/60Hz x 6P x 0.3kW		
NO	PARTS NAME	DESCRIPTION	Q.TY
1	COND'COIL	"CU TUBE" , "AL" FIN	2
2	FAN&MOTOR	---	2
3	FAN COVER	---	2
4	CASING	EG1 1.2t	
5	BASE FRAME	GI 2.0t	



Maintenance



REV	DATE	DESCRIPTION	REVIEWED	CHECKED
△				
△				