



PROJECT TITLE:  
ECSO GmbH  
Kanzler

DRAWING TITLE:  
AIR COOLED  
CONDENSER

ERCT-100  
SCALE: S / N

DATE:  
2009.01.01

FILE NAME  
ERCT-100

DWG NO:

DRAWING GRADE :

REQUEST NO :  
00-000

LEGEND:

APPROVED

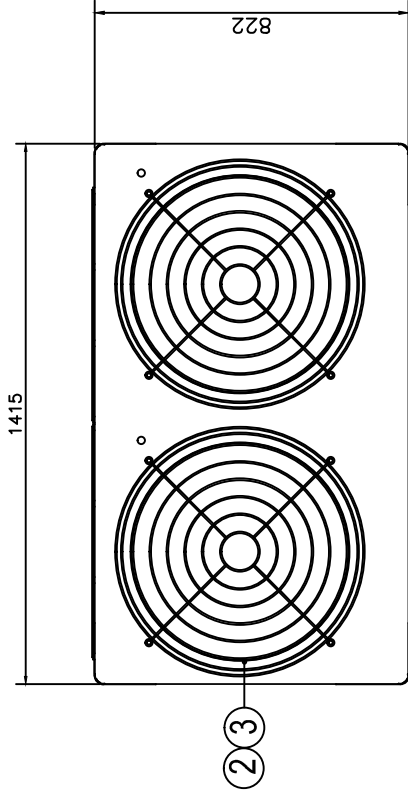
CHECKED

DESIGNED

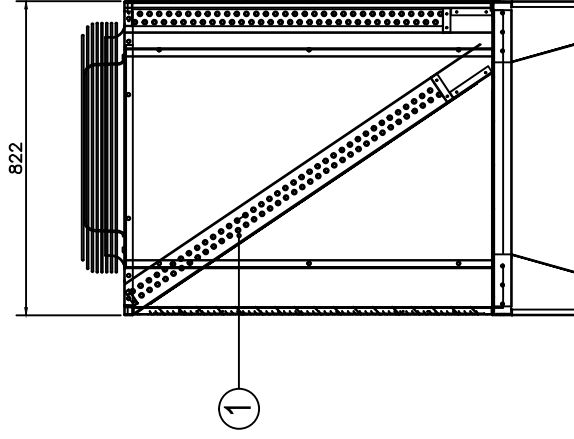
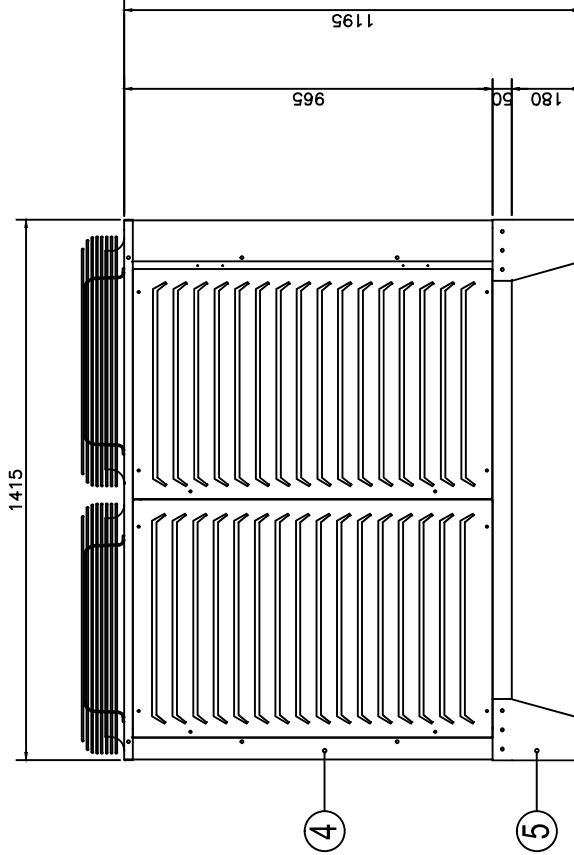
DRAWING  
OH. D. H

SPECIFICATION

CONDENSER COIL		TYPE	MULT-PASS CROSS FIN TUBE
CONDENSER FAN		TYPE	PROPELLER FAN $\phi$ 550
PIPE CONNECTION		MOTOR	3PH/380V/50/60Hz x 6P x 0.4kW
NO		DESCRIPTION	Q'TY
1	COND'COIL	"CU TUBE", "AL" FIN	2
2	FAN&MOTOR	-	2
3	FAN COVER	-	2
4	CASING	EGI 1.2t	-
5	BASE FRAME	GI 2.0t	-



Maintenance



△	REV	DATE	DESCRIPTION	REVIEWED	CHECKED
△					