



PROJECT TITLE:
ECSO GmbH
Konzler

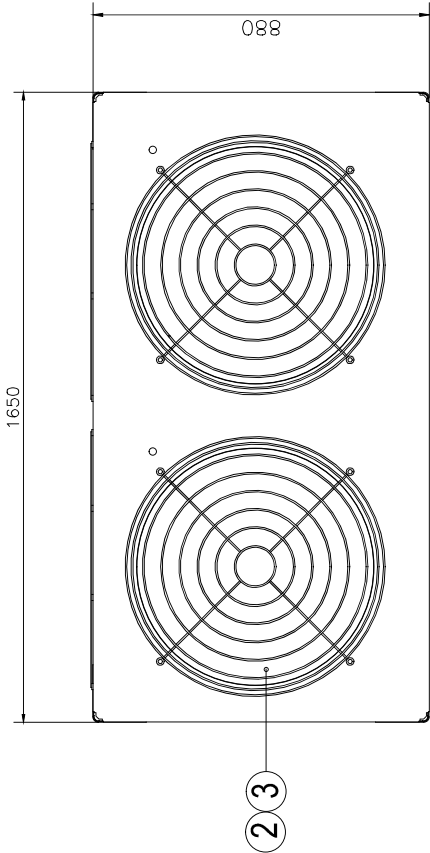
DRAWING TITLE:
AIR COOLED
CONDENSER
ERCT-150
SCALE: S / N

DATE: 2009.01.01
FILE NAME
ERCT-150
DWG NO:

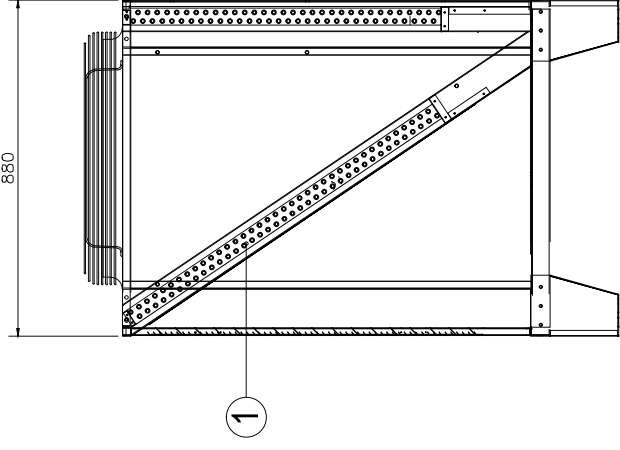
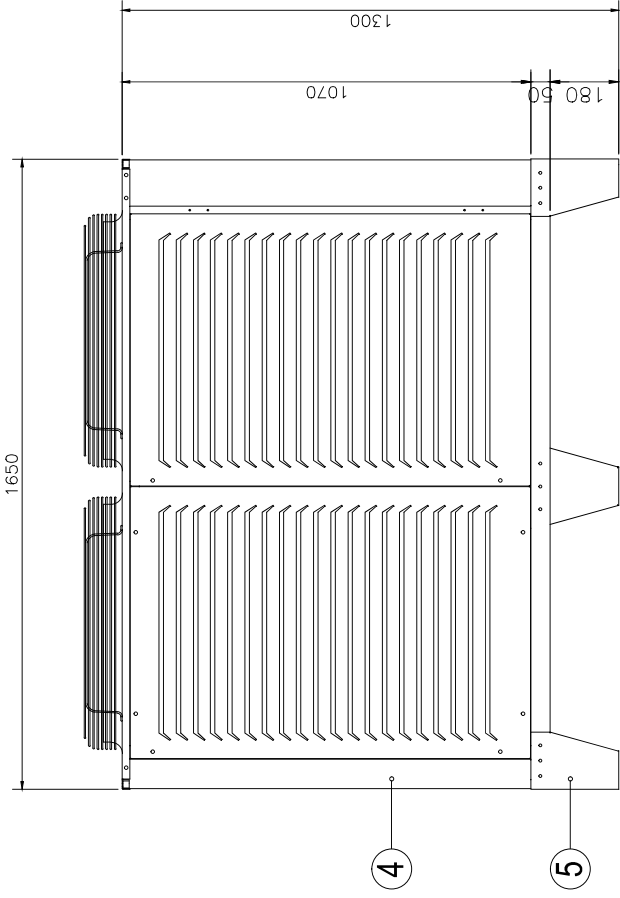
DRAWING GRADE :
REQUEST NO :
00-000
LEGEND:

APPROVED	
CHECKED	
DESIGNED	
DRAWING	OH. D. H

SPECIFICATION	
COMPRESSOR	TYPE HERMETIC-SROLL 3 PH/380V/50/60 Hz x 11.2 kW
CONDENSER COIL	TYPE MULT-PASS CROSS FIN TUBE
	SPEC' 3/8" x 3R x 36S x 1450EL x 2.1 FP
CONDENSER FAN	TYPE PROPELLER FAN φ600
	MOTOR 3PH/380V/50/60Hz x 6P x 0.55kW
PIPE CONNECTION	IN/OUT LET 1 1/8"(φ28.58) / 7/8"(φ22.22)
NO	PARTS NAME DESCRIPTION QTY
1	COND COIL "CU TUBE", "AL" FIN 2
2	FAN&MOTOR - 2
3	FAN COVER - 2
4	CASING EGI 1.2t
5	BASE FRAME GI 2.0t



Maintenance



REV	DATE	DESCRIPTION	REVIEWED	CHECKED
Δ				
Δ				