



PROJECT TITLE:
ECOSO GMBH

DRAWING TITLE:
CONSTANT TEMPERATURE & HUMIDITY EQUIPMENT (25HP-2CYCLE)

SCALE: S / N

DATE: 2009. 01. 01

FILE NAME: RLD-2851-I-X

DWG NO:

DRAWING GRADE: GRADE 2

REQUEST NO: 00-000

LEGEND:

APPROVED

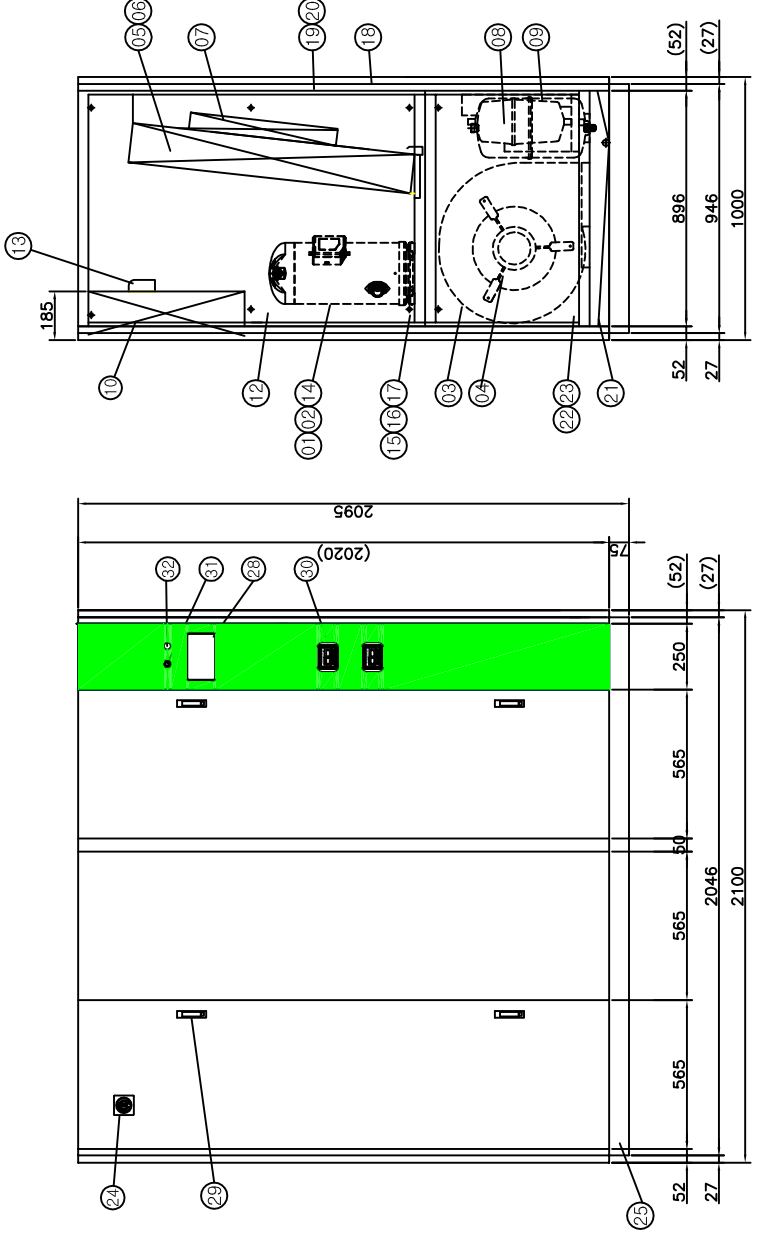
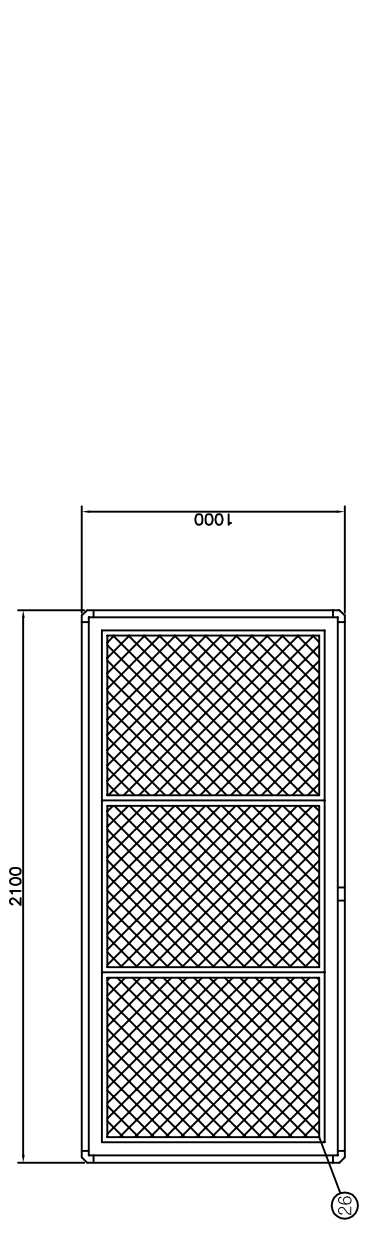
CHECKED

DESIGNED

DRAWING

SPEC. MODEL		RLD-2851-I-X
COOLING CAPACITY	60Hz	77.800 kcal/h (90.46 kW)
	50Hz	65.400 kcal/h (76 kW)
VOLUME		300 CMM / 240 CMM (60/50 Hz)
BLOWER MOTOR	TYPE	SIROCCO AS-1512D
	MOTOR	3 PH/50 HZ/3.7 kW x6 P x 2 EA
COMPRESSOR	TYPE	HERMETIC SCROLL
	CAPACITY	3 PH/50 HZ/9.7 kW x 2 EA
EVAPORATOR	TYPE	MULTI-PASS CROSS FINNED TUBE
	SPEC	-
HEATER	CAPACITY	25.800 kcal/h (30 kW)
	TYPE	SUS-AERO FINNED TUBE TYPE
	STEP	7.5 kW x 4 STEP
HUMIDIFIER	CAPACITY	15 L/h
	TYPE	ELECTRODE
	STEP	11.4 kW
AIR FILTER	TYPE	VINYL CHLORIDE + POLYESTER 20I
	SIZE	640*825*3EA
FRAME SIZE	SIZE	2046*946*2095
REFRIGERANT		R-22 / R407C

NO	PART NAME	DESCRIPTION	QTY	SAFETY
01	COMPRESSOR	-	4	REF
02	SERVICE VALVE	28.57 mm,28.4 mm	4	REF
03	BLOWER	SCCC	2	REF
04	BLOWER MOTOR	-	2	REF
05	EVAPORATOR	CU + AL	1	REF
06	EXPANSION VALVE	13 R/T	2	REF
07	ELECTRIC HEATER	SUS	1	REF
08	RECEIVER TANK	SPP	2	REF
09	HUMIDIFIER	-	1	REF
10	CONTROL BOX	CR SHEET 1.6I	1	REF
11	-	-	-	-
12	L.T.C	-	2	REF
13	SENSOR	TEMP.HUMID	1	REF
14	SUCTION STRAINER	28.57 mm	2	REF
15	FILTER DRIER	22.22 mm	2	REF
16	SIGHT GLASS	22.22 mm	2	REF
17	SOLENOID VALVE(R)	22.22 mm	2	REF
18	FRAME	CR SHEET 2.3I	-	-
19	CASE	CR SHEET 1.2I	-	-
20	INSULATION	PU FOAM 25T	-	-
21	DRAIN PLATE	SUS304	1	REF
22	SOLENOID VALVE(W)	6.35 mm	1	REF
23	MIDDLE VALVE(W)	6.35 mm	1	REF
24	D-HANDLE	-	1	REF
25	BASE FRAME	CR SHEET 2.3I	1	REF
26	AIR FILTER	-	3	REF
27	-	-	-	-
28	CONTROL MONITOR	-	1	REF
29	PUSH BUTTON	-	4	REF
30	DIGIPRESSURE GAUGE	HIGH,LOW,DIFF	2	REF
31	EMERGENCY SWITCH	-	1	REF
32	PUSH BUTTON SWITCH	-	1	REF



REV	DATE	DESCRIPTION	REVIEWED	CHECKED
Δ				
Δ				