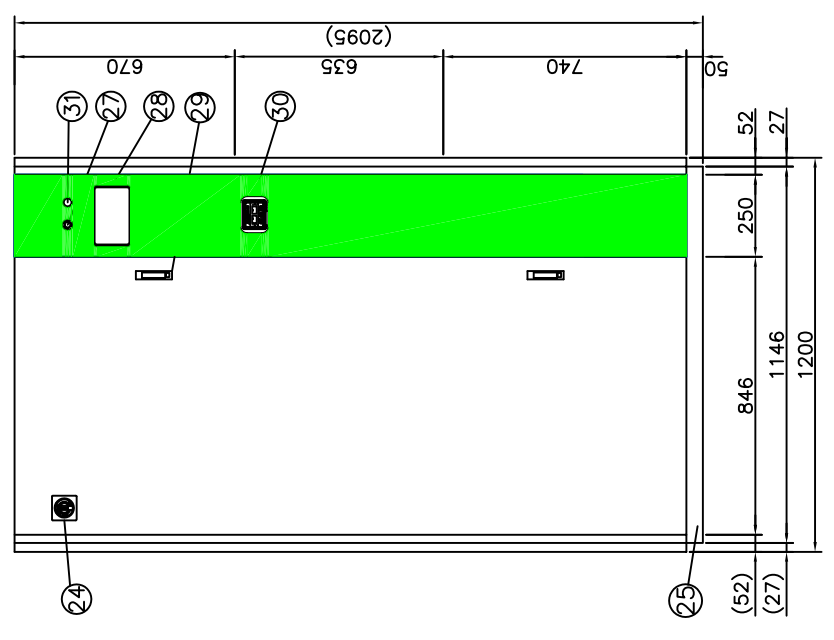
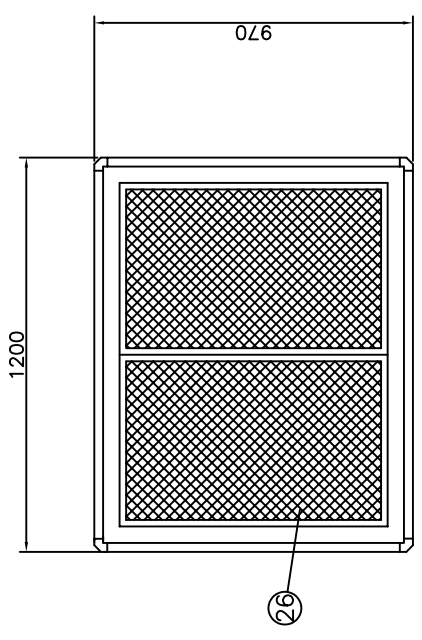
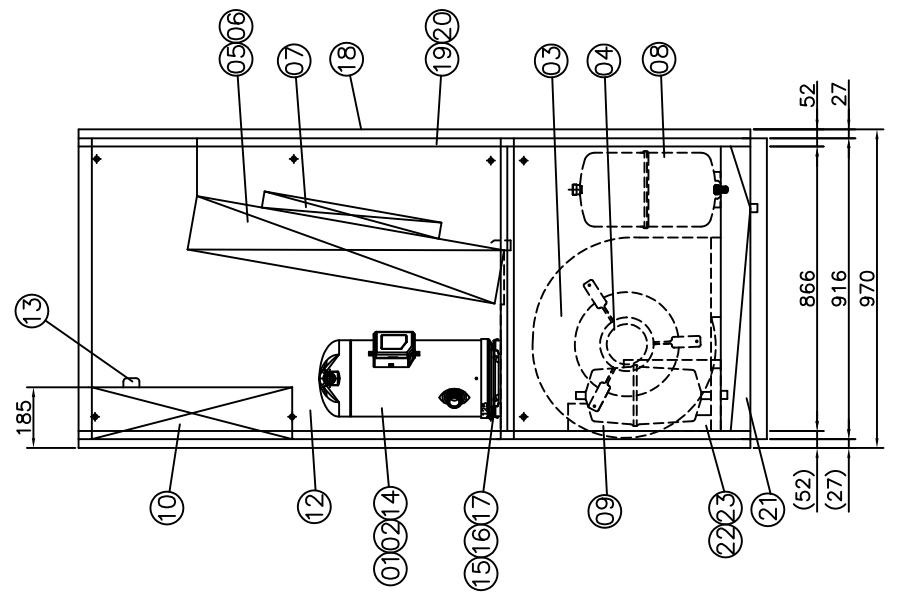




SPEC\MODEL		RMT-1340-IX
COOLING CAPACITY	60Hz	31,900 kcal/h (37.09 kW)
	50Hz	26,400 kcal/h (30.7 kW)
VOLUME	110 CMM	/ 85 CMM (60/50 Hz)
TYPE	SIROCCO AS-1512D	
MOTOR	3 PH/50 Hz/	1.12 kW x 8 P
TYPE	HERMETIC SCROLL	
CAPACITY	3 PH/50 Hz/7.5 kW	
TYPE	MULTI-PASS CROSS FINNED TUBE	
SPEC	-	
CAPACITY	12,900 kcal/h (15 kW)	
TYPE	SUS-AERO FINNED TUBE TYPE	
STEP	3.75 kW x 4 STEP	
CAPACITY	8 L/h	
TYPE	ELECTRODE	
STEP	6.1 kW	
TYPE	VINYL CHLORIDE + POLYESTER 20t	
SIZE	795 x 510 x 2EA	
FRAME SIZE	1146 x 916 x 2095	
REFRIGERANT	R-22 / R-407C	

SPECIFICATION		
PROJECT TITLE:	ECOSO GMBH	
DRAWING TITLE:	CONSTANT TEMPERATURE & HUMIDITY EQUIPMENT (UMHP-1CYCLE)	
SCALE:	S / N	
DATE:	2008. 10. 01	
FILE NAME:	RMT-1340-IX	
DWG NO:		
DRAWING GRADE :	GRADE 2	
REQUEST NO :	00-000	
LEGEND:		
APPROVED		
CHECKED		
DESIGNED		
DRAWING		



NO	PART NAME	DESCRIPTION	Q'TY	SAFETY
01	COMPRESSOR	-	1	<SAFE>
02	SERVICE VALVE	25.4 mm,19.05 mm	2	<SAFE>
03	BLOWER MOTOR	SGCC	1	<SAFE>
04	BLOWER MOTOR	CU + AL	1	<SAFE>
05	EVAPORATOR	10 R/T	1	<SAFE>
06	EXPANSION VALVE	10 R/T	1	<SAFE>
07	ELECTRIC HEATER	STS	1	<SAFE>
08	RECEIVER TANK	ST12	1	<SAFE>
09	HUMIDIFIER	-	1	<SAFE>
10	CONTROL_BOX	CR_SHEET 1.6t	1	<SAFE>
11	-	-	1	<SAFE>
12	L.T.C	-	1	<SAFE>
13	SENSOR	TEMP,HUMID	1	<SAFE>
14	SUCTION STRAINER	28.57 mm	1	<SAFE>
15	FILTER DRIER	15.87 mm	1	<SAFE>
16	SIGHT GLASS	15.87 mm	1	<SAFE>
17	SOLENOID VALVE(R)	15.87 mm	1	<SAFE>
18	FRAME	CR_SHEET 2.3t	1	<SAFE>
19	CASE	CR_SHEET 1.2t	1	<SAFE>
20	INSULATION	PU_FOAM 25t	1	<SAFE>
21	DRAIN PLATE	SUS304	1	<SAFE>
22	SOLENOID VALVE(W)	6.35 mm	1	<SAFE>
23	MIDDLE VALVE(W)	6.35 mm	1	<SAFE>
24	D-HANDLE	-	1	<SAFE>
25	BASE FRAME	CR_SHEET 2.3t	1	<SAFE>
26	AIR FILTER	-	2	<SAFE>
27	EMERGENCY SWITCH	-	1	<SAFE>
28	CONTROL_MONITOR	-	1	<SAFE>
29	PUSH BUTTON	-	2	<SAFE>
30	DIGIPRESSURE SWITCH	HIGH-LOW,DIFF	1	<SAFE>
31	PUSH BUTTON SWITCH	-	1	<SAFE>

REV	DATE	DESCRIPTION	REVIEWED	CHECKED
Δ				
Δ				