

PROJECT TITLE:

ECSO GMBH

DRAWING TITLE:

CONSTANT TEMPERATURE & HUMIDITY EQUIPMENT 15HP(15HPx1CYCLE)

SCALE: S / N

DATE: 2009.01.01

FILE NAME:

RMT-1497-IX

DWG NO:

DRAWING GRADE :

GRADE 2

REQUEST NO :

00-000

LEGEND:

APPROVED BY

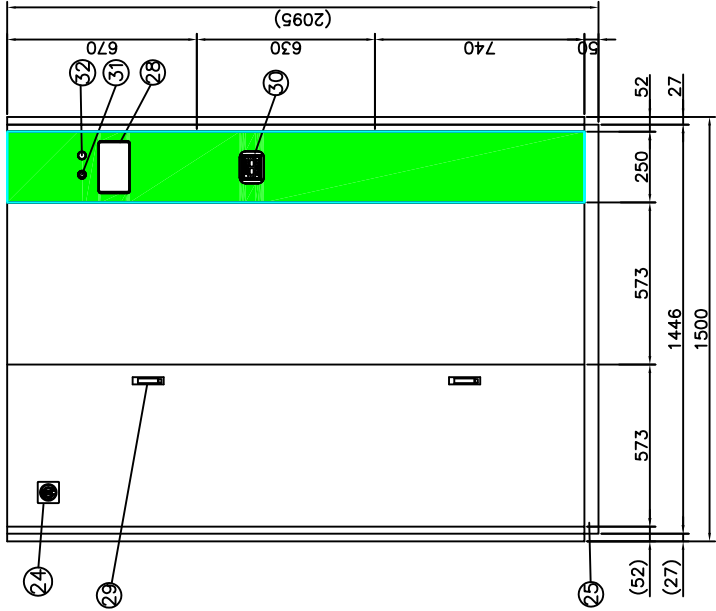
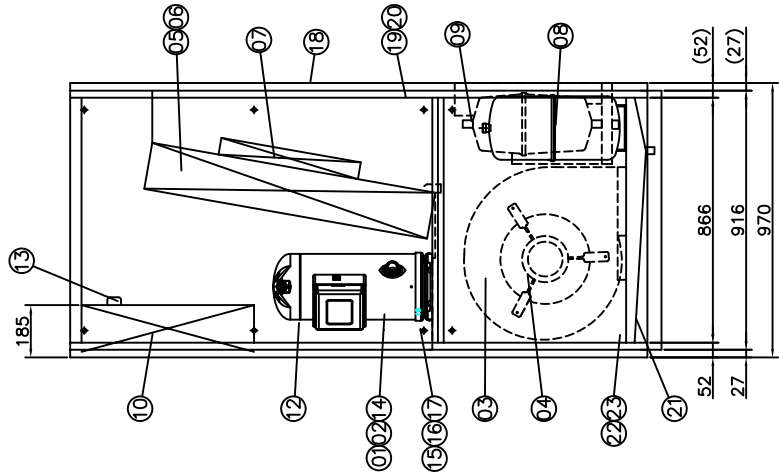
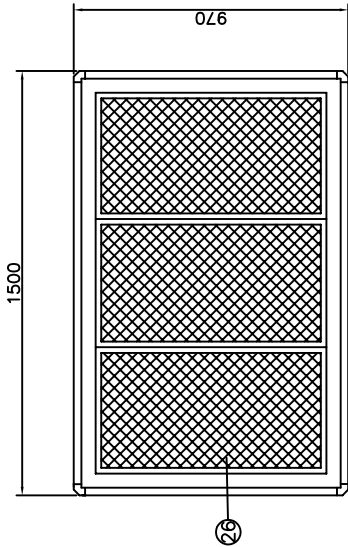
CHECKED BY

DESIGNED BY

DRAWING BY

SPECIFICATION	
SPEC MODEL	RMT-1497-IX
COOLING CAPACITY	48,000 kcal/h (55.81 kW)
	40,300 kcal/h (46.9 kW)
VOLUME	160 CMH / 125 CMH (60/50 Hz)
BLOWER MOTOR	SIROCCO AS-1512D
MOTOR	3 PH/50 HZ/3.7 kW x 6 P
TYPE	HERMETIC
SPEC	3 PH/50 HZ/11.2 kW
TYPE	MULTI-PASS CROSS FINNED TUBE
SPEC	-
CAPACITY	8,600 Kcal/h (20 kW)
TYPE	SUS-AERO FINNED TUBE TYPE
STEP	5 KW x 4 STEP
CAPACITY	13 L/H
TYPE	ELECTRODE
STEP	9.9 kW
TYPE	VINYL CHLORIDE + POLYESTER 20t
SIZE	440 x 795 x 35A
FRAME SIZE	1446 x 916 x 2095
REFRIGERANT	R-22 / R-407C

NO	PART NAME	DESCRIPTION	Q'TY	SAFETY
01	COMPRESSOR	-	1	<SAFE>
02	SERVICE VALVE	25.4 mm, 28.57 mm	2	<SAFE>
03	BLOWER	SGCC	1	<SAFE>
04	BLOWER MOTOR	-	1	<SAFE>
05	EVAPORATOR	CU + AL	1	<SAFE>
06	EXPANSION VALVE	15 R/T	1	<SAFE>
07	ELECTRIC HEATER	STS	1	<SAFE>
08	RECEIVER TANK	SPP	1	<SAFE>
09	HUMIDIFIER	-	1	<SAFE>
10	CONTROL BOX	CR SHEET 1.6t	1	<SAFE>
11	-	-	1	<SAFE>
12	L.T.C	-	1	<SAFE>
13	SENSOR	TEMP.HUMID	1	<SAFE>
14	SUCTION STRAINER	28.57 mm	1	<SAFE>
15	FILTER DRIER	22.22 mm	1	<SAFE>
16	SIGHT GLASS	22.22 mm	1	<SAFE>
17	SOLENOID VALVE(R)	22.22 mm	1	<SAFE>
18	FRAME	CR SHEET 2.3t	1	<SAFE>
19	CASE	CR SHEET 1.2t	1	<SAFE>
20	INSULATION	PU FOAM 25t	1	<SAFE>
21	DRAIN PLATE	SUS304	1	<SAFE>
22	SOLENOID VALVE(W)	6.35 mm	1	<SAFE>
23	MIDDLE VALVE(W)	6.35 mm	1	<SAFE>
24	D-HANDLE	-	1	<SAFE>
25	BASE FRAME	CR SHEET 2.3t	1	<SAFE>
26	AIR FILTER	-	3	<SAFE>
27	-	-	1	<SAFE>
28	CONTROL MONITOR	-	1	<SAFE>
29	PUSH BUTTON	-	2	<SAFE>
30	DIGIPRESSURE SWITCH	HIGH,LOW,DIFF	1	<SAFE>
31	EMERGENCY SWITCH	-	1	<SAFE>
32	PUSH BUTTON SWITCH	-	1	<SAFE>



REV	DATE	DESCRIPTION	REVIEWED	CHECKED
A				