



PROJECT TITLE:
ECISO GmbH
Kanzler

DRAWING TITLE:
CONSTANT TEMPERATURE
& HUMIDITY EQUIPMENT
RMD-2296-IX
(2CYCLE)

SCALE: S / N

DATE: 2009. 08. 11

FILE NAME:
RMD-2296-IX

DWG NO:

DRAWING GRADE :

REQUEST NO :

LEGEND:

APPROVED

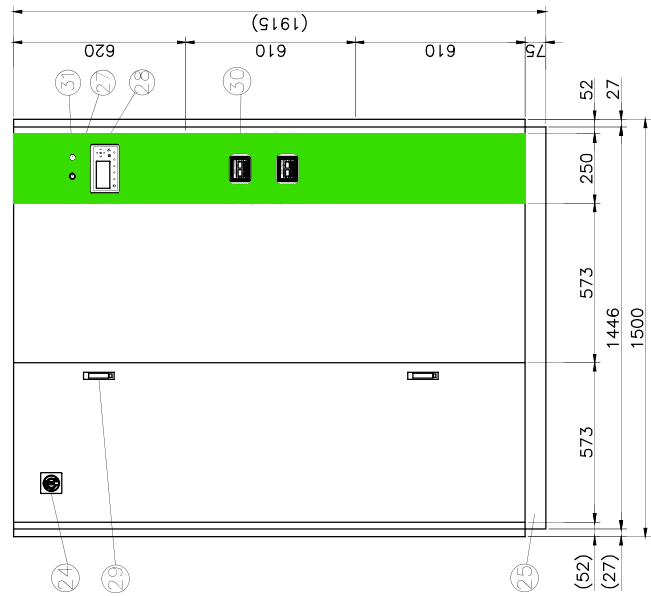
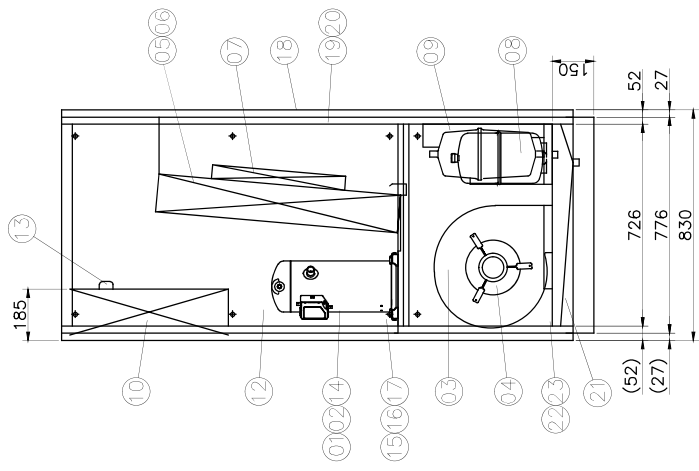
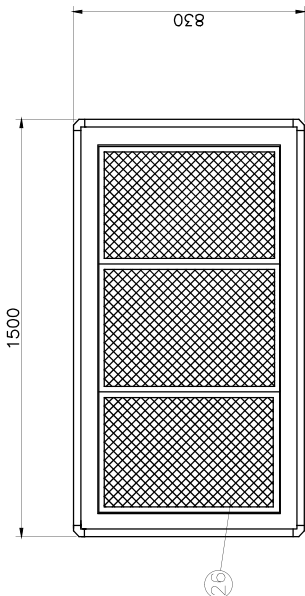
CHECKED

DESIGNED

DRAWING

SPECIFICATION

| | |
|-------------------|--------------------------------|
| SPEC MODEL | RMD-2296-IX |
| COOLING CAPACITY | 28,000 kcal/h (32.5 kW) |
| VOLUME | 110 CM ³ |
| BLOWER MOTOR TYPE | SIROCCO AS-111D |
| MOTOR | 3PH/60 Hz/0.55 kW x 6 P x 2 EA |
| COMPRESSOR TYPE | HERMETIC SCROLL |
| CAPACITY | 3 PH/60 Hz/3.75 kW x 2 EA |
| EVAPORATOR TYPE | MULTI-PASS GROSS FINNED TUBE |
| SPEC | |
| CAPACITY | 12,900 kcal/h (15 kW) |
| TYPE | SUS-AERO FINNED TUBE TYPE |
| STEP | 3.75 kW x 4 STEP |
| CAPACITY | 8 L/h |
| HUMIDIFIER TYPE | ELECTRODE |
| STEP | 6.1 kW |
| AIR FILTER TYPE | VINYL CHLORIDE + POLYESTER 20t |
| SIZE | 440 x 650 x 3EA |
| FRAME SIZE | 1446 x 776 x 1915 |
| REFRIGERANT | R-407 C |



| REV | DATE | DESCRIPTION | REVIEWED | CHECKED |
|-----|------|-------------|----------|---------|
| | | | | |
| | | | | |