



PROJECT TITLE:
ECOSO GmbH
Kanzler

DRAWING TITLE:
CONSTANT TEMPERATURE
& HUMIDITY EQUIPMENT
RMD-2464-IX
(2CYCLE)

SCALE: S / N

DATE: 2009. 08. 11

FILE NAME:

DWG NO:

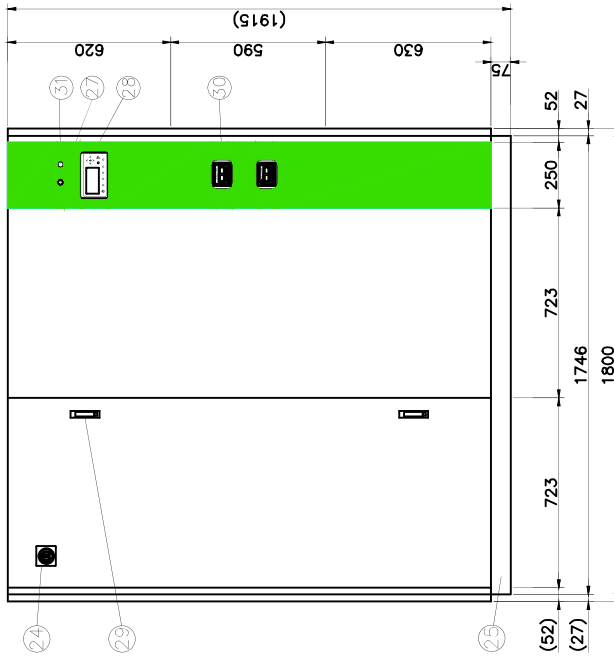
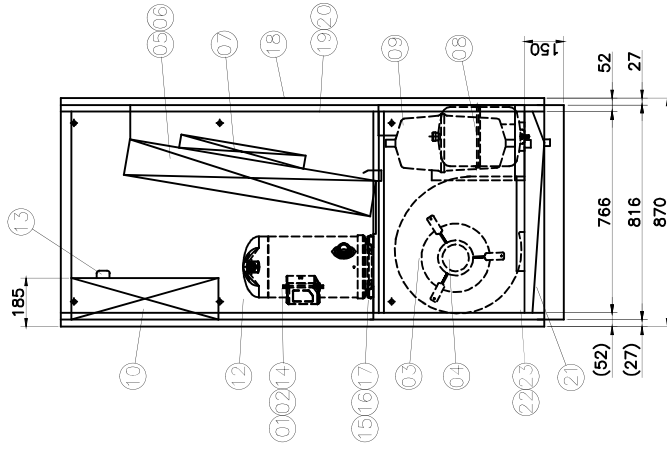
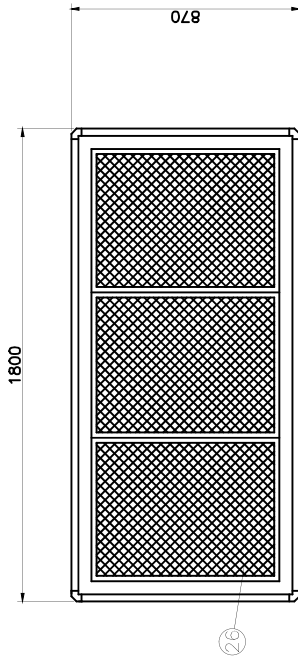
DRAWING GRADE :

REQUEST NO :

LEGEND:

APPROVED	
CHECKED	
DESIGNED	
DRAWING	

SPECIFICATION	
SPEC MODEL	RMD-2464-IX
COOLING CAPACITY	42.000 kcal/h (48.8 kW)
BLOWER MOTOR	160 CMM
VOLUME	SIROCCO AS-133D
MOTOR	3 PH/60 HZ/1.2 kW x 8 P x 2 EA
TYPE	HERMETIC SCROLL
COMPRESSOR	3 PH/60 HZ/5.6 kW x 2 EA
MOTOR	MULTI-PASS GROSS FINNED TUBE
TYPE	SPEC
EVAPORATOR	CAPACITY 17.200 kcal/h (20 kW)
HEATER	TYPE SUS-AERO FINNED TUBE TYPE
	STEP 5 KW x 4 STEP
	CAPACITY 13 L/h
HUMIDIFIER	TYPE ELECTRODE
	STEP 9.9 kW
AIR FILTER	TYPE VINYL CHLORIDE + POLYESTER 20t
	SIZE 700 x 540 x 3EA
FRAME SIZE	SIZE 1746 x 816 x 1915
REFRIGERANT	R-407 C



REV	DATE	DESCRIPTION	REVIEWED	CHECKED