



PROJECT TITLE:
EC50 GMBH

DRAWING TITLE:
CONSTANT TEMPERATURE & HUMIDITY EQUIPMENT (20HP-2CYCLE)

SCALE: S / N

DATE: 2009.01.01

FILE NAME: RMD-2651-IX

DWG NO: 00-000

DRAWING GRADE: GRADE 2

REQUEST NO: 00-000

LEGEND:

APPROVED

CHECKED

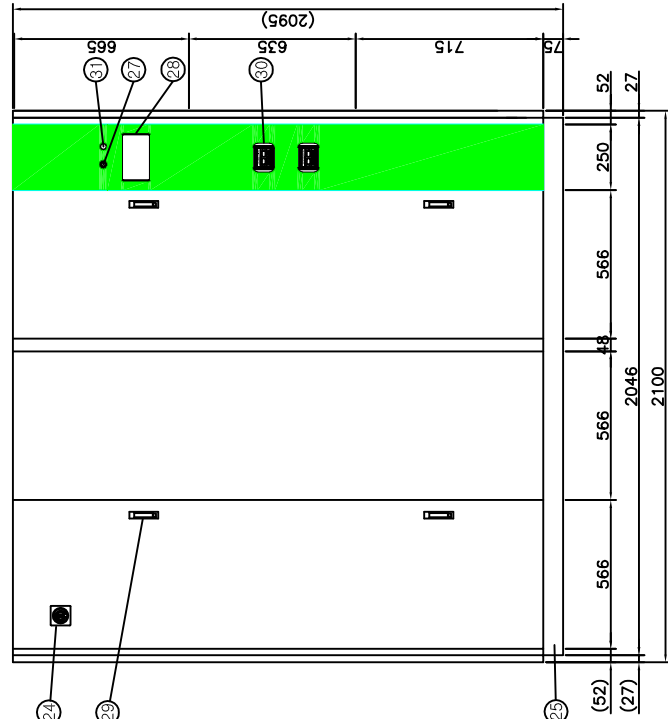
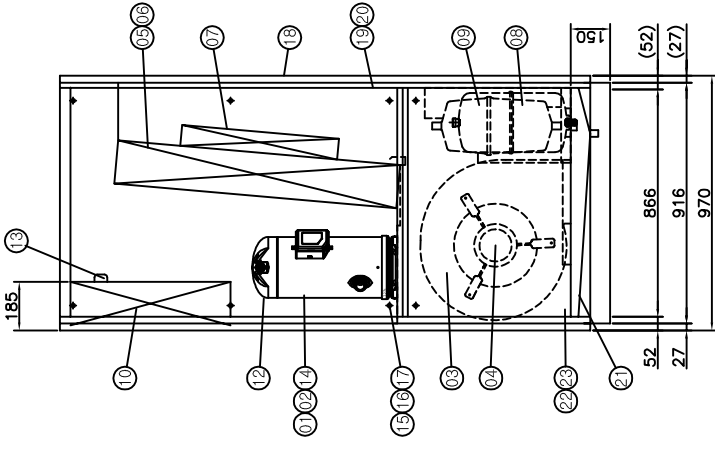
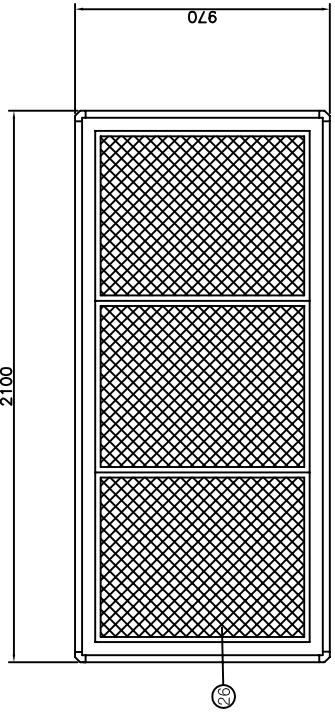
DESIGNED

DRAWING

SPECIFICATION

SPEC MODEL	RMD-2651-IX
COOLING CAPACITY	63,800 kcal/h (74.18 kW) 52,800 kcal/h (61.4 kW)
BLOWER MOTOR	VOLUME 220 CMM / 170 CMM (60/50 Hz) TYPE SIROCCO AS-1512D MOTOR 3 PH/50 Hz/1.12 kW x 8 P x 2 EA TYPE HERMETIC SCROLL CAPACITY 3 PH/50 Hz/7.5 kW x 2 EA TYPE MULTI-PASS CROSS FINNED TUBE SPEC -
EVAPORATOR	CAPACITY 21,500 kcal/h (25 kW) TYPE SUS-AERO FINNED TUBE TYPE STEP 6.25 kW x 4 STEP CAPACITY 13 L/h TYPE ELECTORDE STEP 9.9 kW
HEATER	TYPE VINYL CHLORIDE + POLYESTER 20L SIZE 640*795*3EA
HUMIDIFIER	TYPE R-22 / R407C
AIR FILTER	REFRIGERANT

NO	PART NAME	DESCRIPTION	QTY	SAFETY
01	COMPRESSOR	-	2	<RE>
02	SERVICE VALVE	25.4 mm, 19.05 mm	4	<RE>
03	BLOWER	SGCC	2	<RE>
04	BLOWER MOTOR	-	2	<RE>
05	EVAPORATOR	CU + AL	1	<RE>
06	EXPANSION VALVE	10 R/T	2	<RE>
07	ELECTRIC HEATER	STS	1	<RE>
08	RECEIVER TANK	ST12	2	<RE>
09	HUMIDIFIER	-	1	<RE>
10	CONTROL BOX	CR SHEET 1.6t	1	<RE>
11	-	-	2	<RE>
12	L.T.C	-	2	<RE>
13	SENSOR	TEMP.HUMID	1	<RE>
14	SUCTION STRAINER	28.57 mm	2	<RE>
15	FILTER DRIER	15.87 mm	2	<RE>
16	SIGHT GLASS	15.87 mm	2	<RE>
17	SOLENOID VALVE(R)	15.87 mm	2	<RE>
18	FRAME	CR SHEET 2.3t	1	<RE>
19	CASE	CR SHEET 1.2t	1	<RE>
20	INSULATION	PU FOAM 25t	1	<RE>
21	DRAIN PLATE	SUS304	1	<RE>
22	SOLENOID VALVE(W)	6.35 mm	1	<RE>
23	NIDDLE VALVE(W)	6.35 mm	1	<RE>
24	D-HANDLE	-	1	<RE>
25	BASE FRAME	CR SHEET 2.3t	1	<RE>
26	AIR FILTER	-	3	<RE>
27	EMERGENCY SWITCH	-	1	<RE>
28	CONTROL MONITOR	-	1	<RE>
29	PUSH BUTTON	-	4	<RE>
30	DIGIPRESSURE SWITCH	HIGH,LOW,DIFF	2	<RE>
31	PUSH BUTTON SWITCH	-	1	<RE>



REV	DATE	DESCRIPTION	REVIEWED	CHECKED
A				