



PROJECT TITLE:
ECISO GmbH
Kanzler

DRAWING TITLE:
CONSTANT TEMPERATURE
& HUMIDITY EQUIPMENT
RMT-1232-IX
(1 CYCLE)

SCALE: S / N

DATE: 2009. 08. 11

FILE NAME:
RMT-1232-IX

DWG NO:

DRAWING GRADE :

REQUEST NO :

LEGEND:

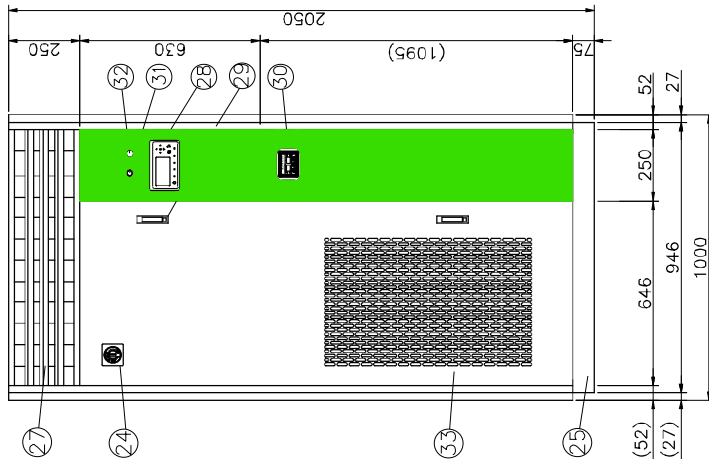
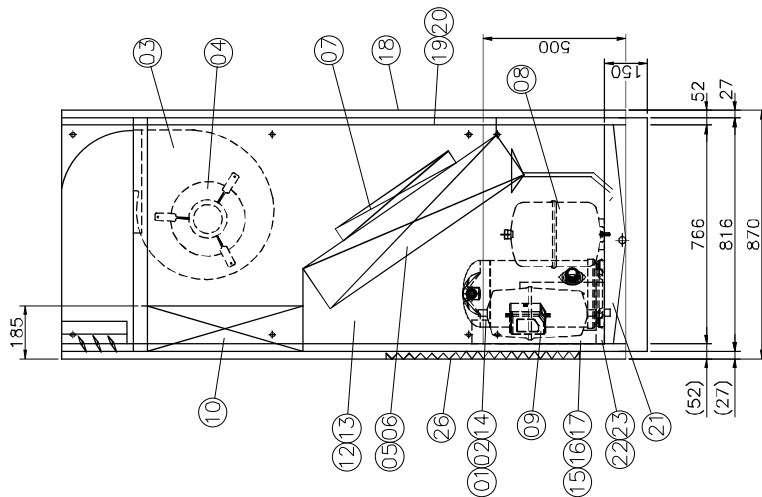
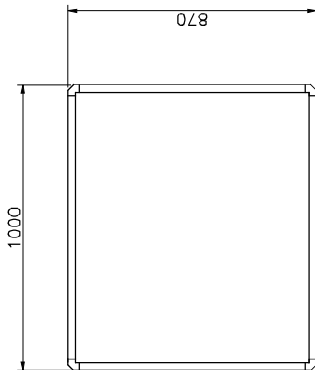
APPROVED

CHECKED

DESIGNED

DRAWING

SPECIFICATION	
SPEC MODEL	RMT-1232-IX
COOLING CAPACITY	21,000 kcal/h (24.4 kW)
VOLUME	
TYPE	80 CMM
BLOWER MOTOR	
TYPE	SIROCCO AS-133D
MOTOR	3 PH/60 Hz/1.2 kW x 6 P
COMPRESSOR	
TYPE	HERMETIC
CAPACITY	3 PH/60 Hz/6 kW
EVAPORATOR	
TYPE	MULTI-PASS CROSS FINNED TUBE
SPEC	
CAPACITY	10,320 Kcal/h (12 kW)
HEATER	
TYPE	SUS-AERO FINNED TUBE TYPE
STEP	3 kW x 4 STEP
HUMIDIFIER	
TYPE	ELECTRODE
STEP	6.1 kW
TYPE	VINYL CHLORIDE + POLYESTER 201
AIR FILTER	490 x 920 x 1EA
FRAME SIZE	
SIZE	1000 x 870 x 2050
REFRIGERANT	R-407-C



REV	DATE	DESCRIPTION	REVIEWED	CHECKED