



PROJECT TITLE:
ECOSO GmbH
Kanzler

DRAWING TITLE:
CONSTANT TEMPERATURE
& HUMIDITY EQUIPMENT
RMT-1307-IX
(1CYCLE)

SCALE: S/N

DATE: 2009. 08. 11

FILE NAME:
RMT-1307-IX

DWG NO:

DRAWING GRADE :

REQUEST NO :

LEGEND:

APPROVED

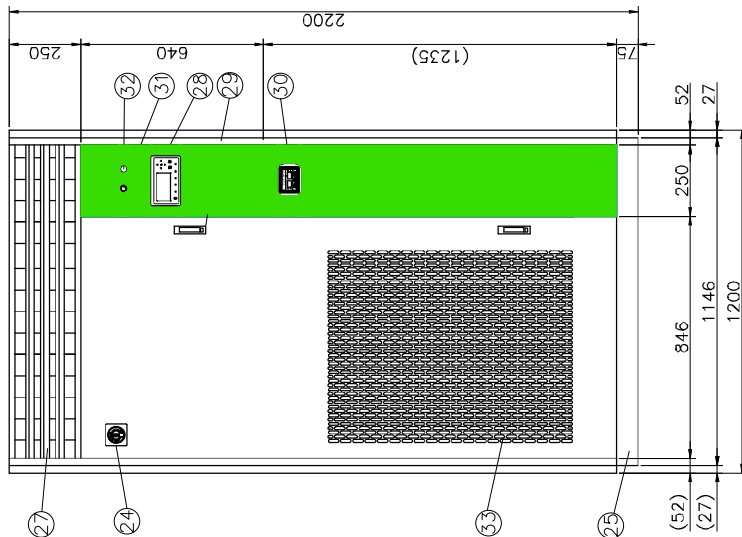
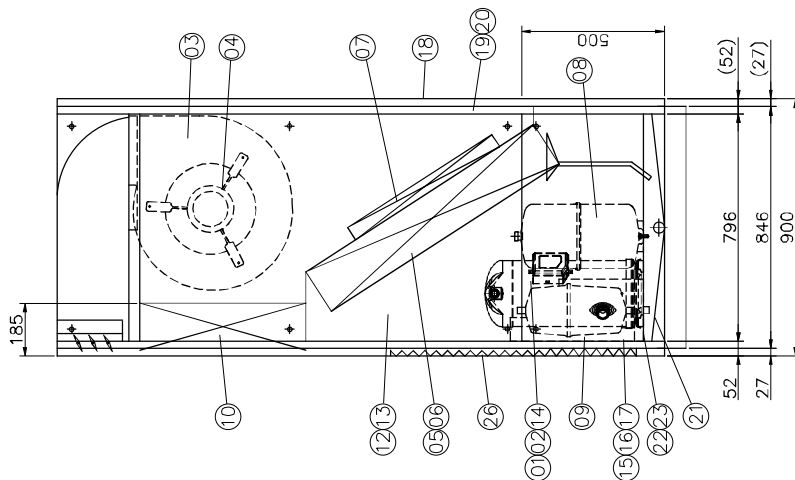
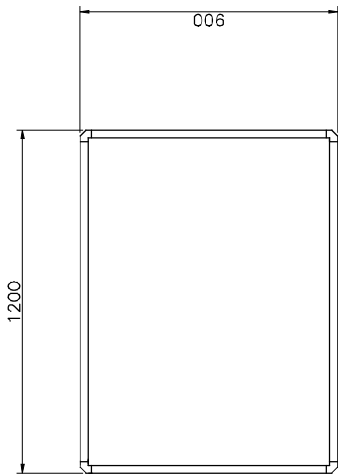
CHECKED

DESIGNED

DRAWING

SPECIFICATION

SPEC\MODEL	RMT-1307-IX
COOLING CAPACITY	28,000 kcal/h (32.5 kW)
VOLUME	11.0 CMM
BLOWER MOTOR	SIROCCO AS-1512D
MOTOR	3 PH/60 HZ/ 3 kW x 8 P
COMPRESSOR	HERMETIC SCROLL
CAPACITY	3 PH/60 HZ/7.5 kW
EVAPORATOR	MULTI-PASS CROSS FINNED TUBE
SPEC	
CAPACITY	12,900 kcal/h (15 kW)
TYPE	SUS-AERO FINNED TUBE TYPE
STEP	3,75 kW x 4 STEP
CAPACITY	8 L/h
TYPE	ELECTRODE
STEP	6.1 kW
TYPE	VINYL CHLORIDE + POLYESTER 20t
SIZE	900 x 690 x 1EA
FRAME SIZE	1146 x 846 x 1950
REFRIGERANT	R-407-C



REV	DATE	DESCRIPTION	REVIEWED	CHECKED