



PROJECT TITLE:  
ECOSO GmbH  
Kanzler

DRAWING TITLE:  
CONSTANT TEMPERATURE  
& HUMIDITY EQUIPMENT  
RMT-2296-IX  
(2CYCLE)

SCALE: S / N

DATE: 2009. 08. 11

FILE NAME:  
RMT-2296-IX

DWG NO:

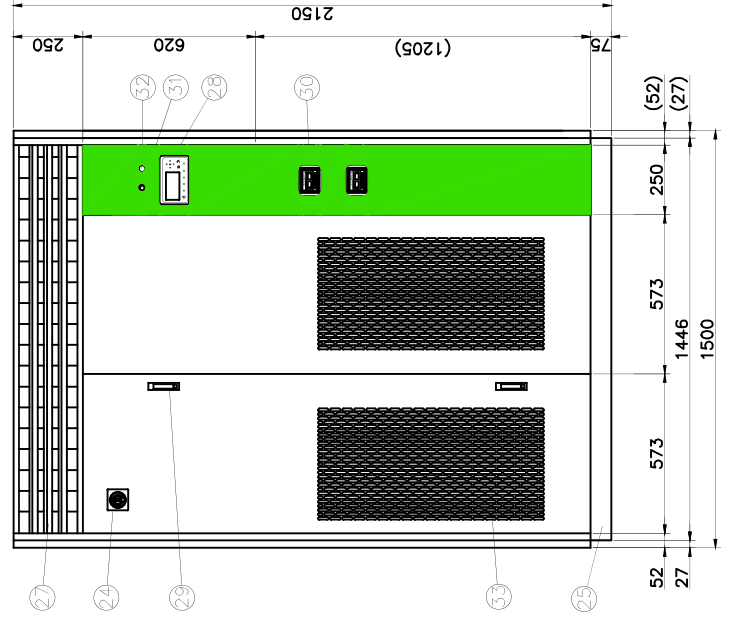
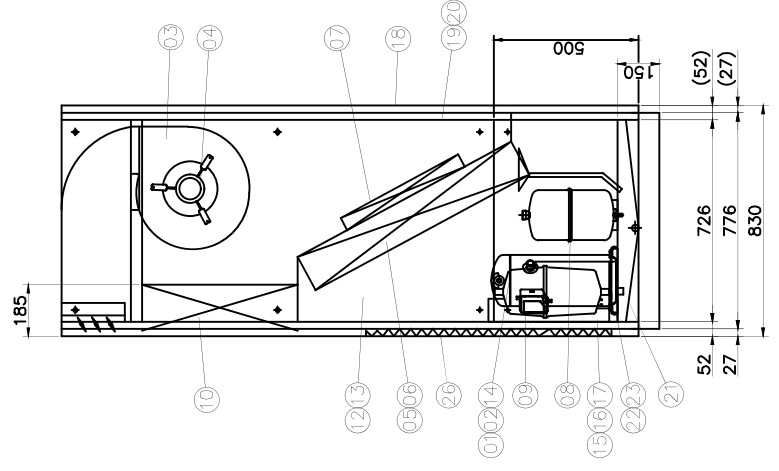
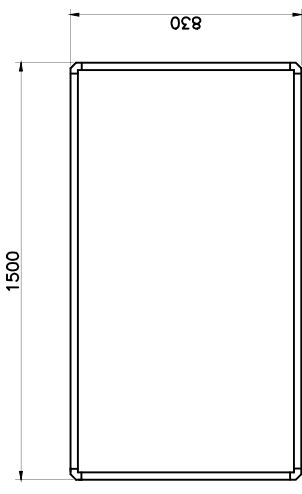
DRAWING GRADE :

REQUEST NO :

LEGEND:

APPROVED	
CHECKED	
DESIGNED	
DRAWING	

SPECIFICATION	
SPEC MODEL	RMT-2296-IX
COOLING CAPACITY	28,000 kcal/h (32.5 kW)
VOLUME	110 CMH
BLOWER MOTOR	SIROCCO AS-111D
MOTOR	3PH/60 HZ/0.55 kW x 6 P x 2 EA
COMPRESSOR	HERMETIC SCROLL
CAPACITY	3 PH/60 HZ/3.75 kW x 2 EA
EVAPORATOR	MULTI-PASS CROSS FINNED TUBE
SPEC	12,900 kcal/h (15 kW)
CAPACITY	3.75 kW x 4 STEP
HEATER	SUS-AERO FINNED TUBE TYPE
STEP	8 L/h
HUMIDIFIER	ELECTRODE
TYPE	6.1 kW
AIR FILTER	VINYL CHLORIDE + POLYESTER 20t
TYPE	1025 x 415 x 2EA
FRAME SIZE	1446 x 776 x 1900
REFRIGERANT	R - 407 C



REV	DATE	DESCRIPTION	REVIEWED	CHECKED