



PROJECT TITLE:
ECOSO GmbH
Konzler

DRAWING TITLE:
CONSTANT TEMPERATURE
& HUMIDITY EQUIPMENT
RMT-2464-IX
(2CYCLE)

SCALE: S / N

DATE: 2009. 08. 11

FILE NAME:
RMT-2464-IX

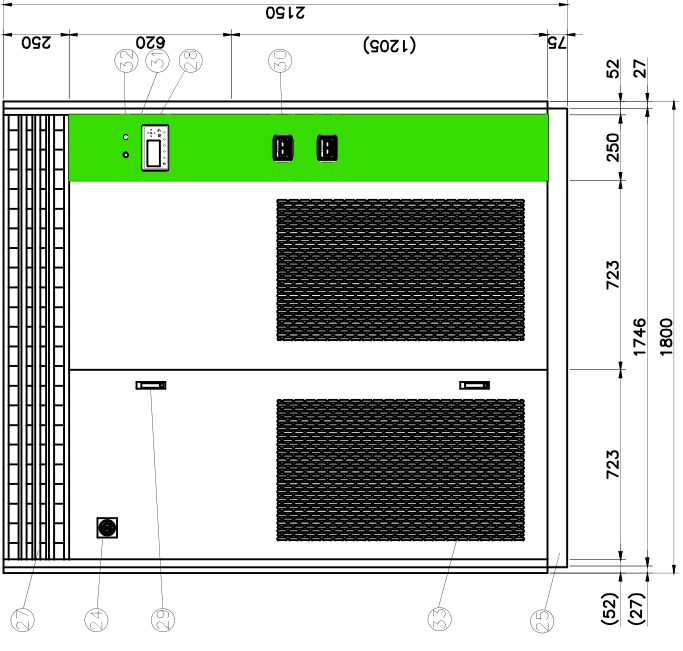
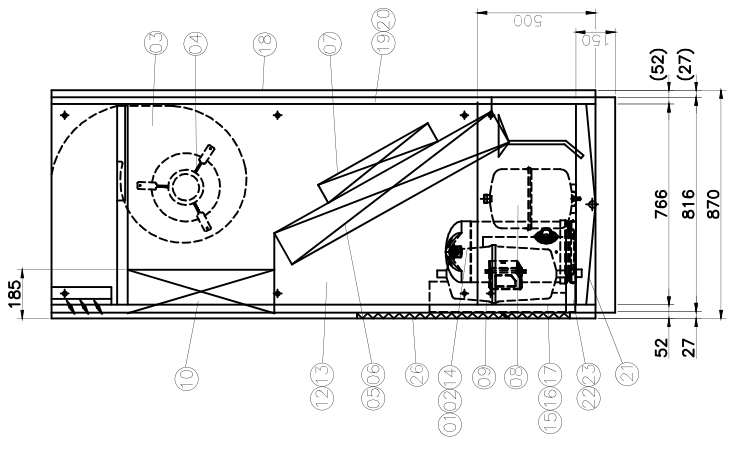
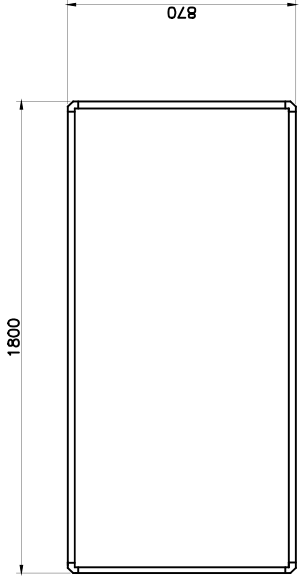
DWG NO:

DRAWING GRADE :

REQUEST NO :

LEGEND:

SPECIFICATION	
SPEC MODEL	RMT-2464-IX
COOLING CAPACITY	42.000 kcal/h (48.8 kW)
BLOWER MOTOR	VOLUME TYPE SIROCCO AS-133D MOTOR 3 PH/60 HZ/1.2 kW x 8 P x 2 EA TYPE HERMETIC SCROLL COMPRESSOR 3 PH/60 HZ/5.6 kW x 2 EA TYPE MULTI-PASS GROSS FINNED TUBE EVAPORATOR SPEC CAPACITY 17.200 kcal/h (20 kW) HEATER TYPE SUS-AERO FINNED TUBE TYPE STEP 5 KW x 4 STEP HUMIDIFIER CAPACITY 13 L/h TYPE ELECTRODE STEP 9.9 kW AIR FILTER TYPE VINYL CHLORIDE + POLYESTER 20t FRAME SIZE 1025 x 570 x 2EA REFRIGERANT SIZE 1746 x 816 x 1900 R-407 C



REV	DATE	DESCRIPTION	REVIEWED	CHECKED

APPROVED	
CHECKED	
DESIGNED	
DRAWING	