



PROJECT TITLE:
ECOSO GmbH
Kanzler

DRAWING TITLE:
CONSTANT TEMPERATURE
& HUMIDITY EQUIPMENT
RMT-2614-IX
(2CYCLE)

SCALE: S / N

DATE: 2009. 08. 11

FILE NAME:
RMT-2614-IX

DWG NO:

DRAWING GRADE :

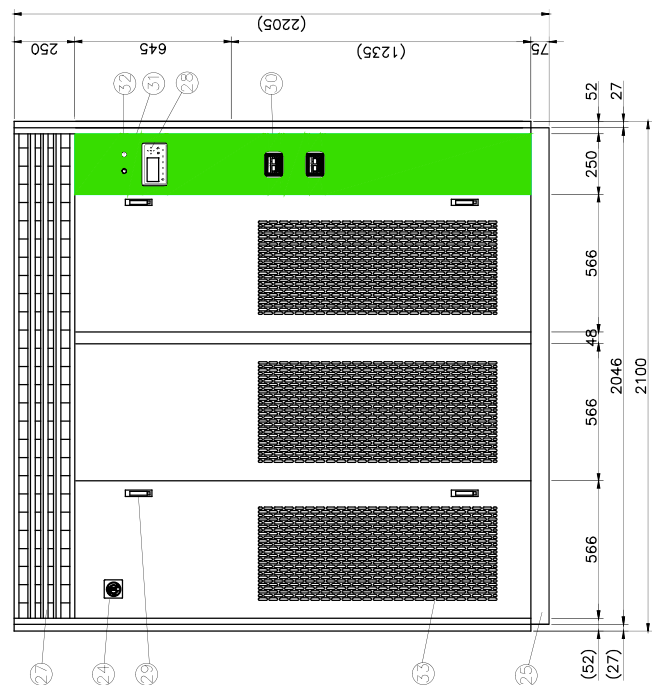
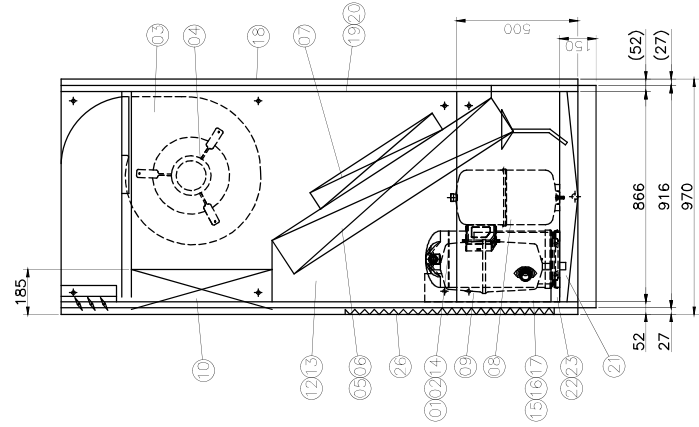
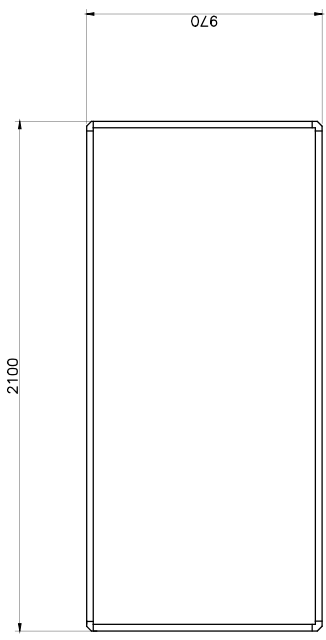
REQUEST NO :

LEGEND:

APPROVED	
CHECKED	
DESIGNED	
DRAWING	

SPECIFICATION

SPEC. MODEL	RMT-2614-IX
COOLING CAPACITY	56,000 kcal/h. (65.1 kW)
	220 CMH
BLOWER MOTOR	SIROCCO AS-1512D
	3 PH/60 Hz/3 kW x 8 P
COMPRESSOR	HERMETIC SCROLL
	3 PH/60 Hz/7.5 kW x 2 EA
EVAPORATOR	MULTI-PASS CROSS FINNED TUBE
	SPEC
HEATER	21,500 kcal/h. (25 kW)
	SUS-AERO FINNED TUBE TYPE
	6.25 kW x 4 STEP
HUMIDIFIER	13 L/h
	ELECTORDE
	9.9 kW
AIR FILTER	VINYL CHLORIDE + POLYESTER 20t
FRAME SIZE	1045*415*3EA
REFRIGERANT	2046*916*1955
	R- 407 C



REV	DATE	DESCRIPTION	REVIEWED	CHECKED