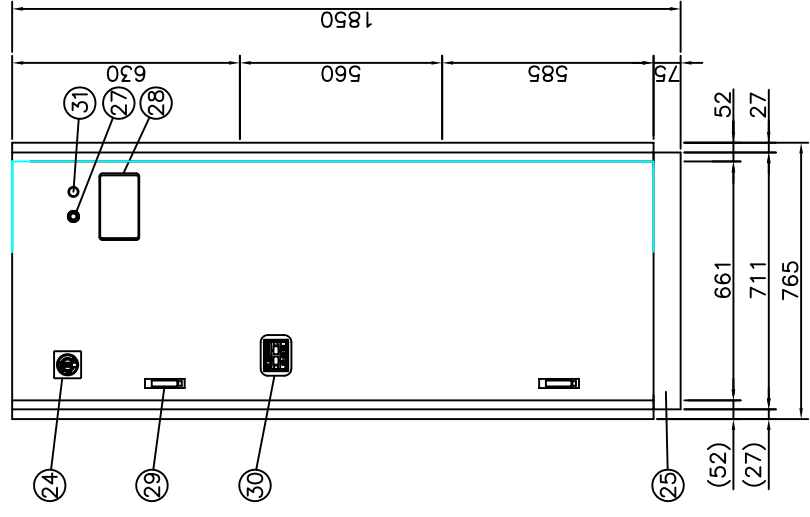
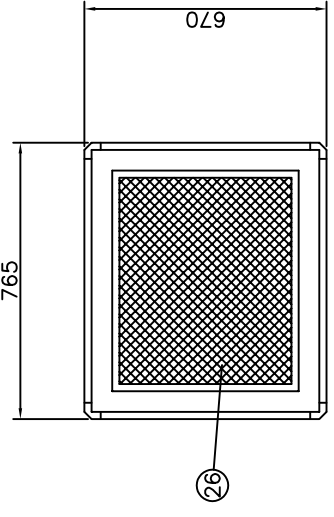
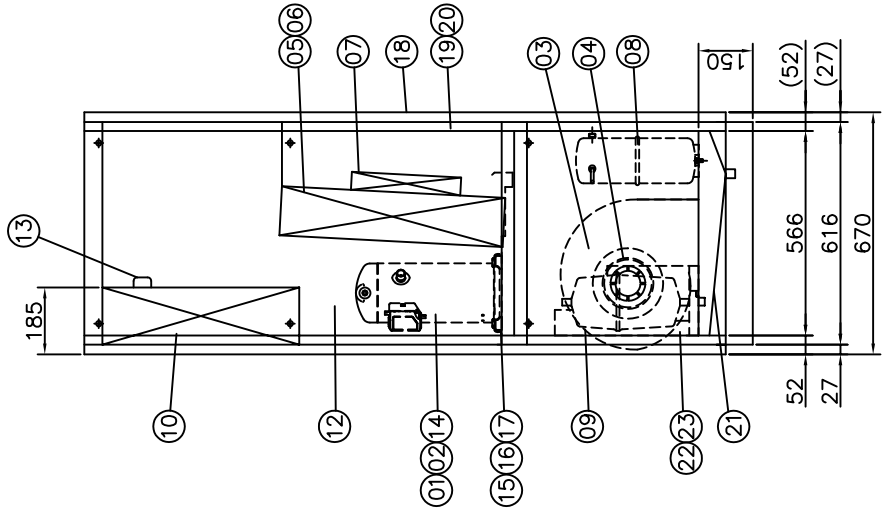




SPECIFICATION	
RST-1064-IX SPEC MODEL	RST-1064-IX
COOLING CAPACITY	6,250 kcal/h (7.27 kW) 5,090 kcal/h (5.92 kW)
VOLUME	22 CMM / 16 CMM (60/50 Hz)
BLOWER MOTOR	TYPE SIROCCO AS-110D MOTOR 3 PH/50 Hz/0.4 kW x 8P TYPE HERMETIC SCROLL
COMPRESSOR	CAPACITY 3 PH/50 Hz/1.49 kW TYPE MULTI-PASS CROSS FINNED TUBE
EVAPORATOR	CAPACITY 2,580 kcal/h (3 kW) TYPE SUS-AERO FINNED TUBE TYPE
HEATER	STEP 1.5 kW x 2 STEP TYPE ELECTRODE
HUMIDIFIER	STEP 3 kW TYPE VINYL CHLORIDE + POLYESTER 20
AIR FILTER	SIZE 610 x 510 x 1EA
FRAME SIZE	SIZE 765 x 670 x 1850
REFRIGERANT	R-22 / R407C

PROJECT TITLE:	ECOSO GMBH
DRAWING TITLE:	CONSTANT TEMPERATURE & HUMIDITY EQUIPMENT (ZHP-1C1CLE)
SCALE:	S / N
DATE:	2010. 03. 15
FILE NAME:	RST-1064-IX
DWG NO:	
DRAWING GRADE :	GRADE 2
REQUEST NO :	
LEGEND:	
APPROVED	
CHECKED	
DESIGNED	
DRAWING	



NO	PART NAME	DESCRIPTION	Q'TY	SAFETY
01	COMPRESSOR	-	1	SAFETY
02	SERVICE VALVE	12.7 mm , 15.87 mm	2	SAFETY
03	BLOWER	SGCC	1	SAFETY
04	BLOWER MOTOR	-	1	SAFETY
05	EVAPORATOR	CU + AL	1	SAFETY
06	EXPANSION VALVE	3R/T	1	SAFETY
07	ELECTRIC HEATER	STS	1	SAFETY
08	RECEIVER TANK	ST12	1	SAFETY
09	HUMIDIFIER	-	1	SAFETY
10	CONTROL BOX	CR SHEET 1.6t	1	SAFETY
11	-	-	-	SAFETY
12	L.T.C	-	1	SAFETY
13	SENSOR	TEMP,HUMID	1	SAFETY
14	SUCTION STRAINER	15.87 mm	1	SAFETY
15	FILTER DRIER	9.52 mm	1	SAFETY
16	SIGHT GLASS	9.52 mm	1	SAFETY
17	SOLENOID VALVE(R)	9.52 mm	1	SAFETY
18	FRAME	CR SHEET 1.6t	1	SAFETY
19	CASE	CR SHEET 1.2t	1	SAFETY
20	INSULATION	PU FOAM 25t	1	SAFETY
21	DRAIN PLATE	SUS304	1	SAFETY
22	SOLENOID VALVE(W)	6.35 mm	1	SAFETY
23	MIDDLE VALVE(W)	6.35 mm	1	SAFETY
24	D-HANDLE	-	1	SAFETY
25	BASE FRAME	CR SHEET 2.3t	1	SAFETY
26	AIR FILTER	-	1	SAFETY
27	EMERGENCY SWITCH	-	1	SAFETY
28	CONTROL MONITOR	-	1	SAFETY
29	PUSH BUTTON	-	2	SAFETY
30	DIGIPRESSURE SWITCH	HIGH,LOW,DIFF	1	SAFETY
31	PUSH BUTTON SWITCH	-	1	SAFETY

REV	DATE	DESCRIPTION	REVIEWED	CHECKED
Δ				