



PROJECT TITLE:
ECSSO GmbH
Konzler

DRAWING TITLE:
CONSTANT TEMPERATURE
& HUMIDITY EQUIPMENT
RST-2166-IX
(2CYCLE)

SCALE: S / N

DATE: 2009. 08.11

FILE NAME:
RST-2166-IX

DWG NO:

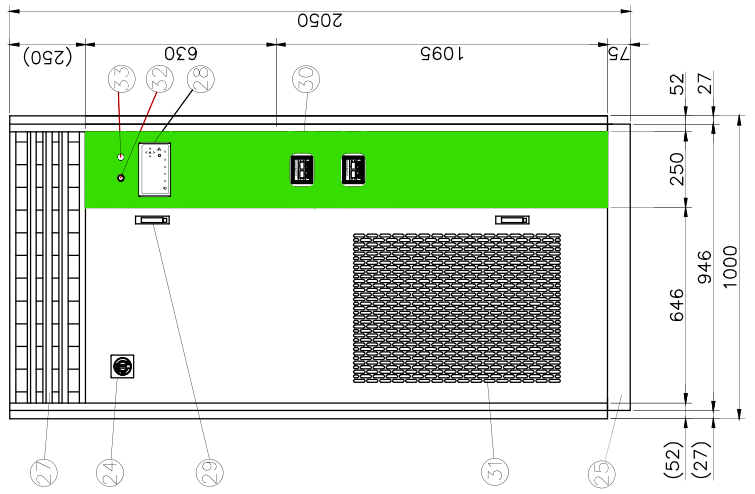
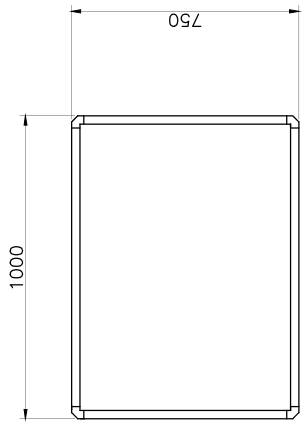
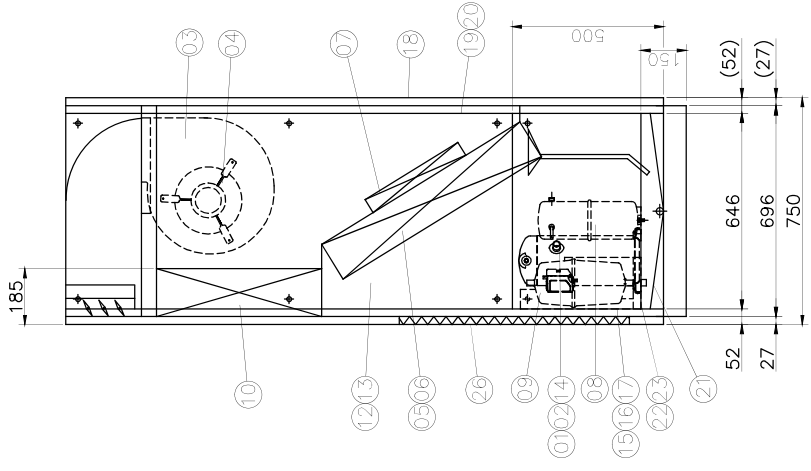
DRAWING GRADE :

REQUEST NO :

LEGEND:

APPROVED	
CHECKED	
DESIGNED	
DRAWING	

SPECIFICATION	
SPEC MODEL	RST-2166-IX
COOLING CAPACITY	16,800 kcal/h (19.5 kW)
	66 CMIM
BLOWER MOTOR	SIROCCO AS-122D
	3PH/60 Hz/1 kW x 6 P
COMPRESSOR	HERMETIC SCROLL
	3 PH/60 Hz/2.2 kW x 2 EA
EVAPORATOR	MULTI-PASS CROSS FINNED TUBE
	SPEC
	CAPACITY 8,600 kcal/h (10 kW)
HEATER	SUS-AERO FINNED TUBE TYPE
	STEP 2.5 kW x 4 STEP
	CAPACITY 8 L/h
HUMIDIFIER	ELECTRODE
	STEP 6.1 kW
AIR FILTER	VINYL CHLORIDE + POLYESTER 20T
	SIZE 490 x 920 x TEA
FRAME SIZE	1000 x 750 x 2050
REFRIGERANT	R-407 C



REV	DATE	DESCRIPTION	REVIEWED	CHECKED
Δ				
Δ				