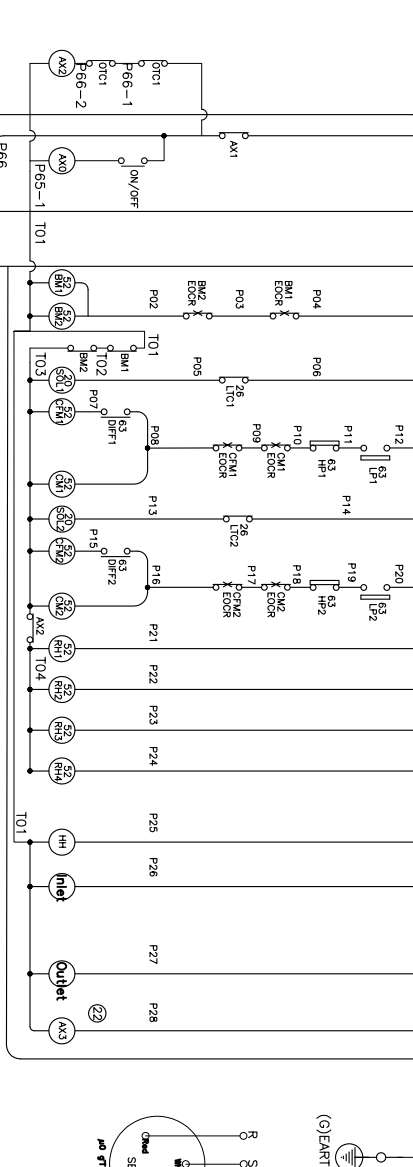
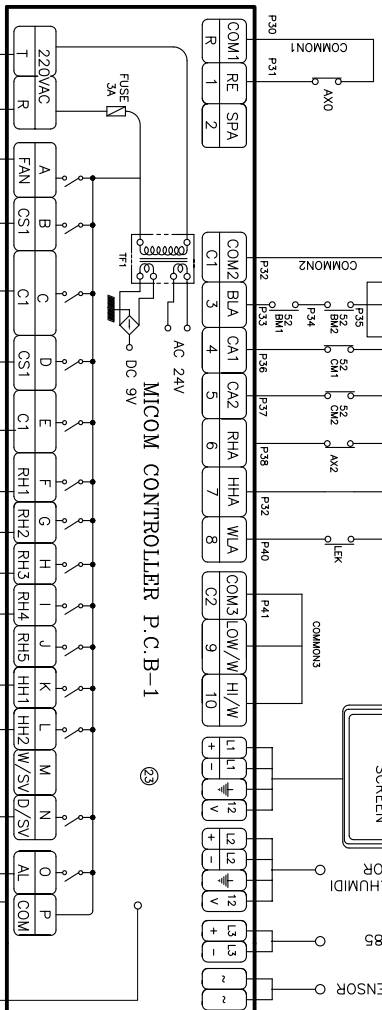
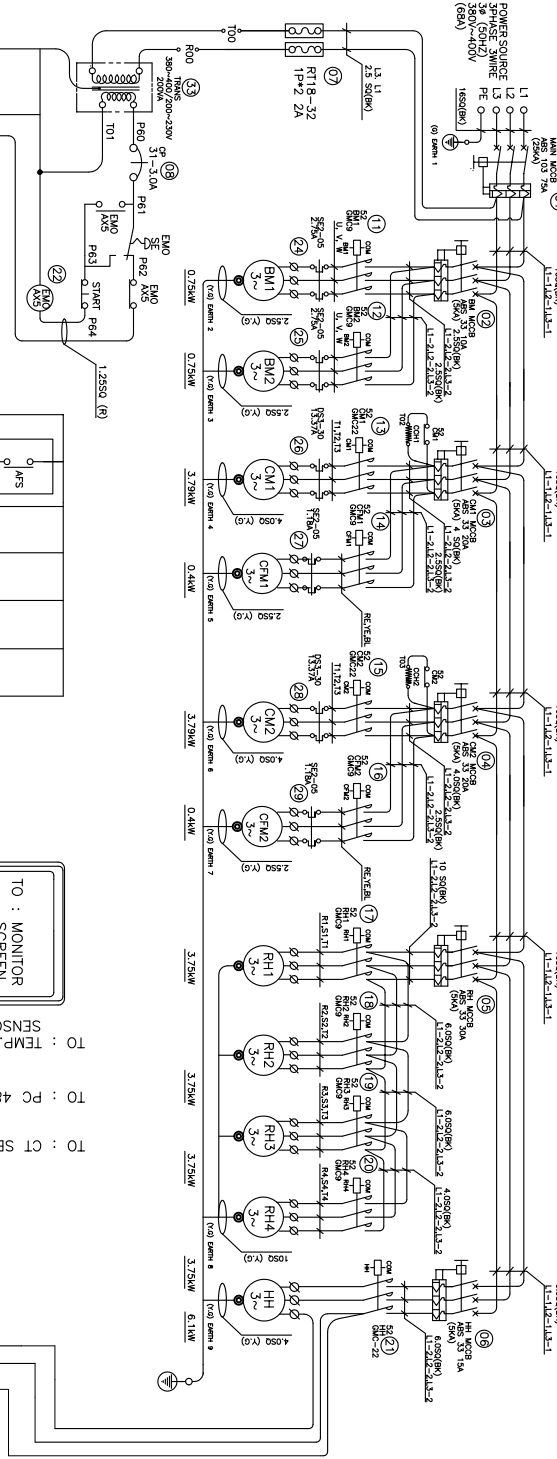


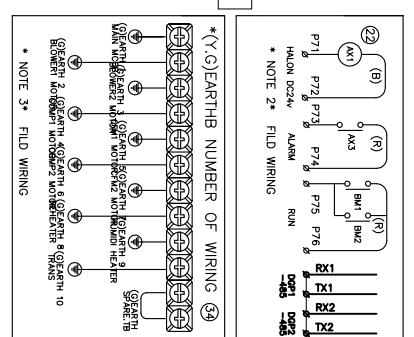
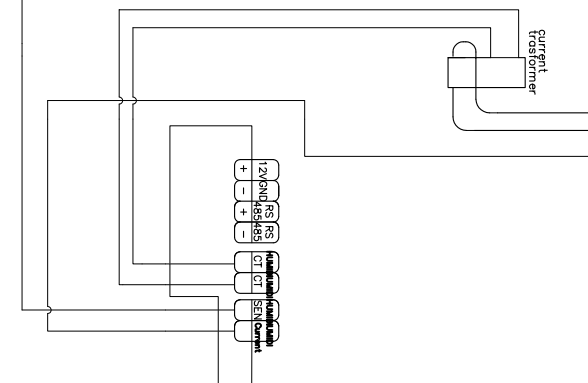
●RMT-2302-IX



APPA	MARK	LEGEND
A	AX	AUX RELAY
A	ABS	AUTO BREAKER STANDARD
A	AIR	AIR FLOW SWITCH
B	BM	BLOWER MOTOR
B	CM	COMPRESSOR MOTOR
C	CFM	CONDENSER FAN MOTOR
C	COH	CRANK CASE HEATER
D	DIF	DIFFERENTIAL PRESSURE SWITCH
E	ECOR	ELECTRICAL CURRENT RELAY
G	GMC	MAGNETIC CONTACTOR
H	HH	HUMIDITY HEATER
H	HP	HIGH PRESSURE SWITCH
L	LP	LOW PRESSURE SWITCH
L	LEK	LEAK DETECTOR
O	LTC	LOW TEMP CONTROL
O	OTC	OVER TEMP CONTROL
R	RH	REFRIGERANT SOLENOID VALVE
S	SOL	SOLENOID VALVE
1 ~ 76		NUMBER OF WIRING

WIRING COLOR	MARK
L1,L2,L3	BLACK (BK)
AC	ALL RED (R)
CONTROL	ALL BLUE (B)
WIRING	ALL YELLOW+GREEN (Y/G)
EARTH WIRING	ALL YELLOW+GREEN (Y/G)

SYMBOL	NAME	SYMBOL	NAME
	CIRCUIT BREAKERS		EMERGENCY BUTTON SW
	CONTACTORS		PRESSURE SWITCH
	PUSH BUTTON SWITCH		CIRCUIT PROTECTOR SW
	GROUND ELECTRICAL		ELECTRICAL CURRENT RELAY



REVISION	DATE	DESCRIPTION	REVIEWED	CHECKED
Δ				
Δ				

PROJECT TITLE: ECSSO GMBH
DRAWING TITLE: PRECISION AIR CONDITIONER (10HP-SHP+2CYCLE)
SCALE: S/N
DATE: 2011.03.07.
FILE NAME: RMT-2302-IX
DWG NO: RMT-2302-IX
DRAWING GRADE: GRADE 2
REQUEST NO.:
LEGEND:

APPROVED	DESIGNED	CHECKED	DRAWING
----------	----------	---------	---------