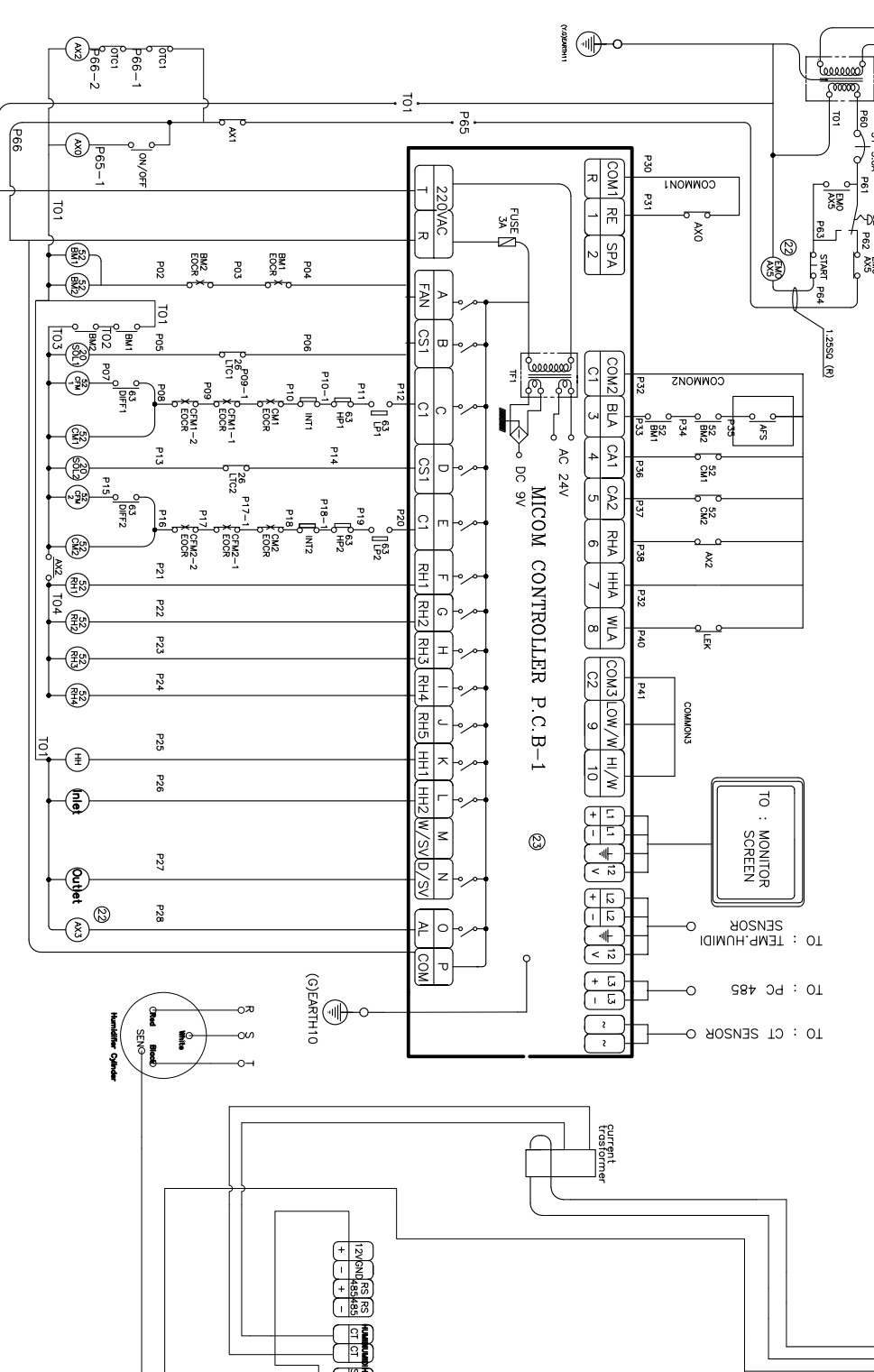
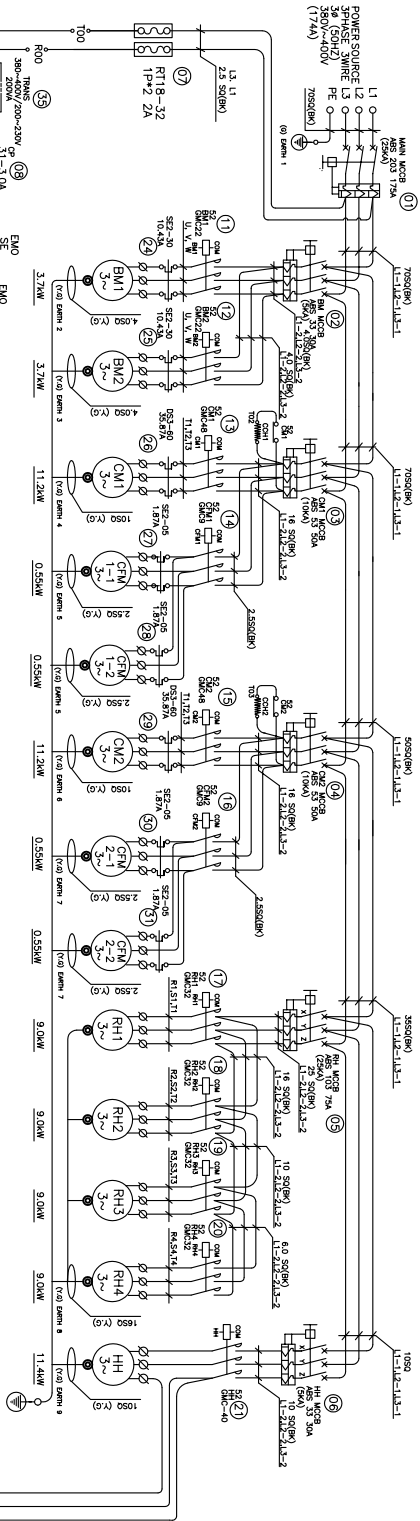


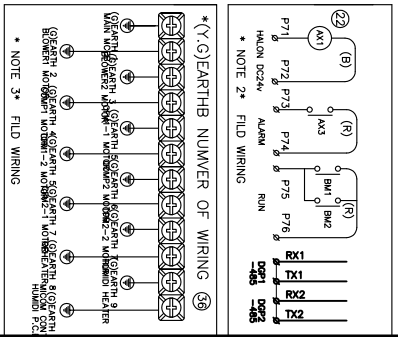
● RL T-2950-IX



ARPA MARK	LEGEND
AX	AUX RELAY
ABS	AUTO BREAKER STANDARD
AFS	AIR FLOW SWITCH
BM	BLOWER MOTOR
CM	COMPRESSOR MOTOR
CFM	CONDENSER FAN MOTOR
CCH	CRANK CASE HEATER
D	DIFFERENTIAL PRESSURE SWITCH
E	ELECTROVALVE
G	MAGNETIC CONTACTOR
H	HUMID HEATER
HP	HIGH PRESSURE SWITCH
L	LOW PRESSURE SWITCH
LEK	LEAK DETECTOR
LTG	LOW TEMP CONTROL
O	OVER TEMP CONTROL
R	RELAY
S	SOLENOID VALVE
1 ~ 76	NUMBER OF WIRING

WIRING COLOR	MARK
POWER WIRING	L1,L2,L3 BLACK (BK)
CONTROL WIRING	AC ALL RED (R)
DC WIRING	DC ALL BLUE (B)
EARTH WIRING	ALL YELLOW-GREEN (Y/G)

SYMBOL	NAME	SYMBOL	NAME
	CIRCUIT BREAKER		EMERGENCY BUTTON SWITCH
	CONTACTORS		PRESSURE SWITCH
	PUSH BUTTON SWITCH		CIRCUIT PROTECTOR SWITCH
	GROUND ELECTRIC		ELECTROVALVE



\* (Y) EARTH NUMBER OF WIRING

\* NOTE 2\* FIELD WIRING

\* NOTE 3\* FIELD WIRING

REV	DATE	DESCRIPTION	REVIEWED	CHECKED
Δ				
Δ				

DESIGNED	
CHECKED	
APPROVED	
DRAWING	



PROJECT TITLE:  
ECSSO GMBH

DRAWING TITLE:  
PRECISION AIR CONDITIONER (30HP-15HP\*2CYC)

SCALE: S/N

DATE: 2011. 03.07.

FILE NAME:  
Dwg No: RL T-2950-IX

DRAWING GRADE:  
GRADE 2

REQUEST NO.:

LEGEND: